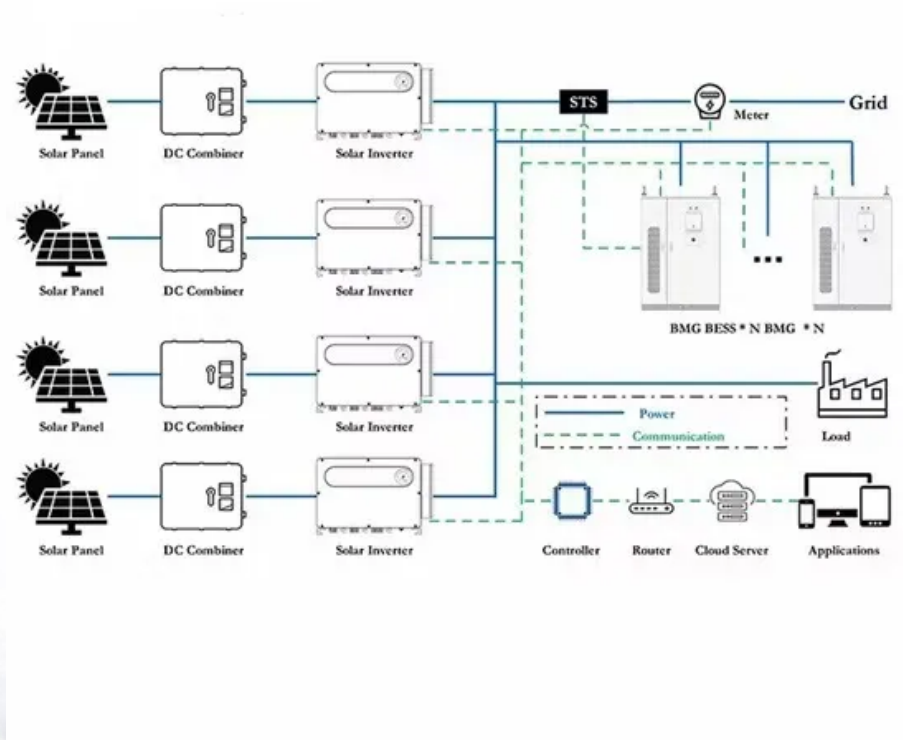


BLINK SOLAR

Which is more energy-efficient a 30kW solar-powered container solar panel



Overview

How much power can a 30kW Solar System produce?

1. What Is a 30kW Solar System, and How Much Power Can It Produce?

A 30kW solar system is a robust renewable energy solution designed to generate significant electricity. On average, it can produce 120–150 kWh per day (or 43,800–54,750 kWh annually), depending on your location, sunlight hours, and panel efficiency.

What is a 30 kW solar system?

These 30 kW size grid-connected solar kits include solar panels, DC-to-AC inverter, rack mounting system, hardware, cabling, permit plans and instructions. These are complete PV solar power systems that can work for a home or business, with just about everything you need to get the system up and running quickly.

Is a 30kW Solar System a good investment?

A 30kW solar system with battery storage is a powerful investment for energy-intensive households and businesses. While upfront costs are significant, long-term savings, tax incentives, and energy security make it a smart choice for sustainable living. Ready to Go Solar?

.

How many kWh does a solar panel produce a day?

On average, it can produce 120–150 kWh per day (or 43,800–54,750 kWh annually), depending on your location, sunlight hours, and panel efficiency. Example: In a sunny region like California, a 30kW system may generate up to 150 kWh daily—enough to power a large home or small commercial facility.

Which is more energy-efficient a 30kW solar-powered container sol



Maximize Energy Savings with a 30kW Solar System: Your ...

A 30kW solar system offers an excellent solution for those looking to harness solar energy for their electricity needs. With the right installation, these systems can provide ...

30kW

A 30kW Solar-Powered Production System typically requires around 67 to 82 (Based on 450W - 370W Panels) solar panels. The exact number of ...



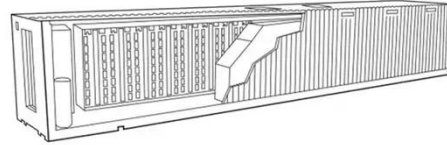
How Many KWh Does a 30kW Solar System Produce?

What Affects kWh Production for a 30kW System The amount of power generated by a solar array comes down to these key elements: Solar Panel Power Rating: Higher ...



30kW Off Grid solar system (38.4kWh)

Conclusion: In remote areas far from the grid, a 30kW Off Grid Solar System offers numerous advantages, including energy independence, cost ...



A Complete Guide to a 30kW Solar System: Perfect for ...

A 30kW solar system is an excellent choice for those looking to balance energy needs and cost efficiency. This guide will delve into the features, benefits, costs, and ...

30kW Solar Output: How Much Power It ...

A 30kW solar system consists of 82 to 100 solar panels and ...



Why a 30kW Solar Power System is Your Key to Energy ...

14 hours ago A 30kW solar power system is a considerable array designed



to cater to noteworthy energy requirements, whether for a large residential property or a medium-sized ...

The Complete Guide to 30kW Solar Systems: Costs, Battery ...

30kW Solar Systems with Battery Storage: Costs, Key Considerations, and Benefits Are you considering a 30kW solar systems for your home or business? Whether ...



30kW

A 30kW Solar-Powered Production System typically requires around 67 to 82 (Based on 450W - 370W Panels) solar panels. The exact number of panels may vary depending on several ...

30 kW Solar Kits

Compare price and performance of the Top Brands to find the best 30 kW solar system with up to 30 year warranty. Buy

the lowest cost 30kW solar kit priced from \$1.12 to \$2.10 per watt with ...



30kW Solar Output: How Much Power It Produces

A 30kW solar system consists of 82 to 100 solar panels and produces an average of around 110kWh of power daily. The daily energy output varies depending on the location, ...

30kW Off Grid solar system (38.4kWh)

Conclusion: In remote areas far from the grid, a 30kW Off Grid Solar System offers numerous advantages, including energy independence, cost savings, environmental sustainability, ...



Most efficient solar panels 2025

Why is solar panel efficiency important? We explain the misconceptions around efficiency and list the most efficient

panels from the leading manufacturers using the latest PV ...



How Many KWh Does a 30kW Solar System ...

What Affects kWh Production for a 30kW System The amount of power generated by a solar array comes down to these key elements: ...



Contact Us

For catalog requests, pricing, or partnerships, please contact:

BLINK SOLAR

Phone: +48-22-555-9876

Email: info@blinkartdesign.pl

Website: <https://www.blinkartdesign.pl>

Scan QR code to visit our website:

