

BLINK SOLAR

Which battery cabinet is best for telecom sites



Overview

Why should you choose a battery system for your Telecom site?

Revenue Generation: Downtime can result in lost revenue and customer dissatisfaction, making a reliable battery system a valuable investment. When choosing a battery system for your telecom site, it's essential to consider various factors to ensure it meets your specific needs. Here are some key considerations:.

How do I choose a battery for my Telecom site?

Environment: Consider the environmental conditions at your telecom site. Extreme temperatures, humidity, and other factors can influence the battery system's performance. Ensure the chosen battery can withstand the local climate.

Why do telecommunication sites need backup power systems?

Telecommunication sites require backup power systems to maintain their operations during power outages and grid failures. These systems are essential for: Service Continuity: To keep phones, data networks, and other communication infrastructure operational even when the primary power source fails.

Which technology is best for a telecom site?

Here are some emerging technologies that may impact your decision:
Advanced Lithium-ion Batteries: New developments in lithium-ion batteries offer increased energy density and longer lifespan, making them a compelling choice for telecom sites. Fuel Cells: Hydrogen fuel cells are gaining traction as backup power sources.

Which battery cabinet is best for telecom sites

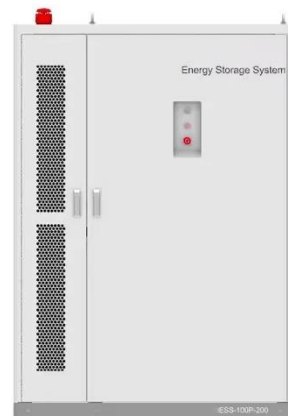


Telecom Cabinet Power System and Telecom Batteries ...

Understand Telecom Cabinet Power System and Telecom Batteries calculation methods to ensure reliable communication and optimal system performance.

What Are the Best Backup and Storage ...

Telecom battery backup systems are essential for ensuring continuous power supply during outages, providing critical support to telecommunication ...



Finding the Right Battery System for Your Telecom Site: A ...

To ensure uninterrupted communication services, it's crucial to have a reliable and efficient backup power system in place. We will guide you through the process of finding the right ...

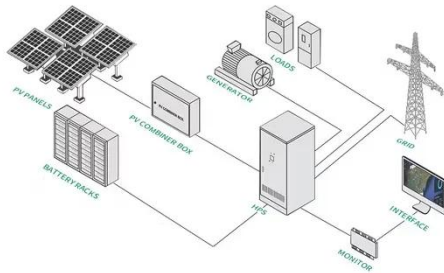
What Are Telecom Battery Cabinets and How Do They ...

Telecom battery cabinets are specialized enclosures housing backup batteries that provide uninterrupted power to telecommunications infrastructure during outages. They ensure ...



How to Choose and Install Telecom Battery Backup Systems ...

Choose and install telecom battery backup systems in 2025 by sizing for current and future needs, selecting the right battery type, and ensuring compliance.



How Telecom Battery Systems Work: Architecture, ...

In modern telecommunications infrastructure, battery systems play a critical role in ensuring continuous service and system reliability. Whether supporting mobile base stations, ...



Choosing the Best Telecom Battery Rack for Your Needs

Choosing the best telecom battery rack is essential for ensuring efficient power



management and storage in telecommunications infrastructure. This guide outlines various ...

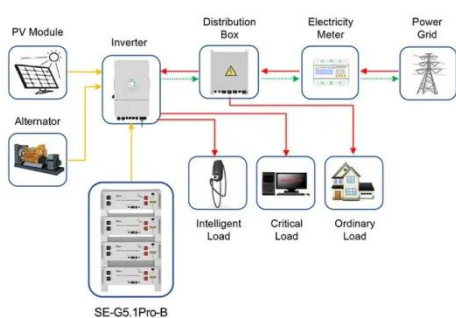
What Are the Best Backup and Storage Solutions for Telecom?

Telecom battery backup systems are essential for ensuring continuous power supply during outages, providing critical support to telecommunication infrastructure. This article explores ...



Guide to Telecom Battery Racks: Choosing the Right Battery

Choosing the right battery rack for your telecom system is crucial to ensure reliable power supply and operational efficiency. Understanding the various types of batteries, their ...



Application scenarios of energy storage battery products

Guide to Telecom Battery Racks: Choosing ...

Choosing the right battery rack for your telecom system is crucial to ensure

reliable power supply and operational efficiency. ...



LZY-ZB Telecom Battery Cabinet

LZY-ZB Telecom Battery Cabinet is a compact, rugged backup power solution that is intended for telecommunications infrastructure (e.g. cell towers, base stations and remote sites). It is ...



A Comprehensive Guide to Telecom Battery Cabinets

A comprehensive guide to telecom battery cabinets provides essential information on their features, types, selection criteria, installation tips, and innovations in technology. ...



Finding the Right Battery System for Your ...

To ensure uninterrupted communication services, it's crucial to have a reliable

and efficient backup power system in place. We will guide you ...



Telecom Cabinet Power System and Telecom ...

Understand Telecom Cabinet Power System and Telecom Batteries calculation methods to ensure reliable communication and ...



Contact Us

For catalog requests, pricing, or partnerships, please contact:

BLINK SOLAR

Phone: +48-22-555-9876

Email: info@blinkartdesign.pl

Website: <https://www.blinkartdesign.pl>

Scan QR code to visit our website:

