

BLINK SOLAR

What metals are in solar glass



Overview

What metal is in a solar panel?

Copper is most prominent metal found inside a typical monocrystalline solar panel, making up 0.93% of the panel. Solar panels are an impressive feat of modern engineering, using a varied mixture of materials to convert daylight into electricity. And every piece plays a crucial role - from the polysilicon and metals to the glass and plastics.

What materials are used in solar panels?

In addition to the metals discussed in this blog, solar panel production also encompasses a variety of other crucial materials, such as silicon, glass, and various polymers. Silicon is used as the primary semiconductor in photovoltaic cells, helping turn sunlight into electrical energy.

What are solar panels made of?

This type of panel is constructed with an aluminum frame, glass, copper wire, polymer layers and a backsheet, silicon solar cells, and a plastic junction box. The polymer layers seal the panel from exposure to weather but can make recycling and panel disassembling difficult, as high temperatures are often required to loosen the adhesive.

Why do solar panels use metals?

Collectively, these materials complement the metals to improve the efficiency, durability, and overall effectiveness of solar panels harnessing solar energy. Metals are crucial in providing efficiency and durability and improving the overall performance of solar panels.

What metals are in solar glass



Which Metal is Used in Solar Panels?

The top layer is tempered glass, which protects the inner layers while allowing sunlight to pass through. Beneath the glass is an anti-reflection coating that minimizes light reflection and ...

Which Metal is Used in Solar Panels?

Short on time? Here's The Article Summary
The Layers
The Metals
Conclusion
The Ultimate Solar + Storage Blueprint
When it comes to the metals in a solar panel, we have the internal metals found in the solar cells and the external metals on the exterior of the solar panel itself. See more on [shopsolarkits](#) [sunsave.energy](#)



What are solar panels made of? [Materials ...

Solar panels are an impressive feat of modern engineering, using a varied mixture of materials to convert daylight into electricity. And ...

What Are Solar Panels Made Of and

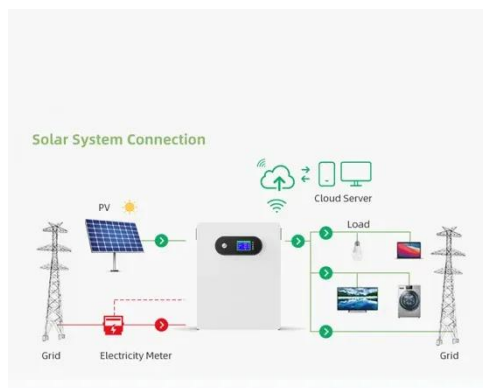
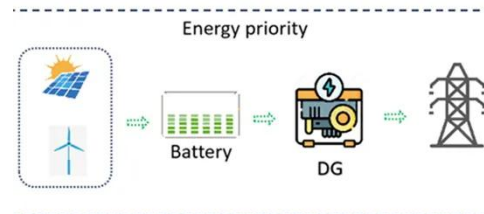


How Are ...

Solar panels are usually made from a few key components: silicon, metal, and glass. Standard panels are either made from ...

What Are the Metals Used in Solar Panels?

Meanwhile, glass is used for protective covers, and various polymers are employed for encapsulating and insulating solar panel ...



Which Metal is Used in Solar Panels?

Discover which metal is used in solar panels and how it contributes to solar energy production and efficiency.

What metals are in solar panels? -

The most important metal in solar panels is silicon, which is used to create the cells that generate the electricity. Other

metals, such as aluminium, copper, silver, lead, and ...



Which Metal is Used in Solar Panel?

Understanding the metals that power the sun is crucial for appreciating how solar panels work and their impact on energy efficiency. This blog explores the which metal is used ...

What Are Solar Panels Made Of and How Are They Made?

Solar panels are usually made from a few key components: silicon, metal, and glass. Standard panels are either made from monocrystalline or polycrystalline silicon.

Lithium Solar Generator: \$150

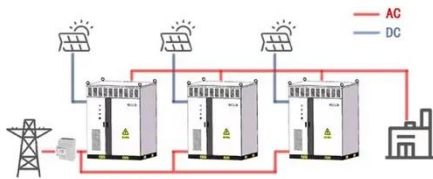


What Are the Metals Used in Solar Panels?

Meanwhile, glass is used for protective covers, and various polymers are

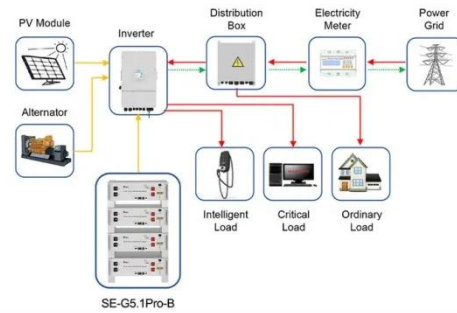
employed for encapsulating and insulating solar panel components. Collectively, these ...

WORKING PRINCIPLE



What kind of glass are solar panels made of? , NenPower

The type of glass used in solar panels is 1. low iron tempered glass, 2. high transparency, 3. durability, and 4. anti-reflective coatings. Low iron tempered gl...



Application scenarios of energy storage battery products

Which Metal is Used in Solar Panel?

Understanding the metals that power the sun is crucial for appreciating how solar panels work and their impact on energy efficiency. ...



What are solar panels made of? [Materials breakdown, 2025]

Solar panels are an impressive feat of modern engineering, using a varied

mixture of materials to convert daylight into electricity. And every piece plays a crucial role - from the ...



Glassy materials for Silicon-based solar panels: Present and ...

Abstract Glass provides mechanical, chemical, and UV protection to solar panels, enabling these devices to withstand weathering for decades. The increasing demand for solar ...

What are solar panels made of?

Conclusion Solar panels are an essential component in harnessing solar energy, a clean and sustainable resource that significantly contributes to global electricity generation. ...



Contact Us

For catalog requests, pricing, or partnerships, please contact:

BLINK SOLAR

Phone: +48-22-555-9876

Email: info@blinkartdesign.pl

Website: <https://www.blinkartdesign.pl>

Scan QR code to visit our website:

