

BLINK SOLAR

What does PV inverter ALARM mean



Overview

What is an inverter alarm?

Inverter alarms monitor the temperature and signal if the system is at risk of overheating, helping prevent damage or fire hazards. Loose or damaged connections of inverter cable can lead to short circuits or erratic behavior in the inverter, causing an alarm to alert users about potential wiring issues.

What is a PV tracker alarm?

These alarms involve the field equipment at the PV plant, including inverters, tracking systems, PV arrays and MET stations. Inverter alarms warn operators of problems with voltages, currents and frequency. Tracker alarms trigger when the system is not at the correct setpoint.

Are inverter alarm systems safe?

Inverter systems are critical in modern electrical setups, especially in homes or businesses sourced by solar power. While these devices are essential for ensuring a stable flow of electricity, they can also pose safety risks and lead to inverter failure if not properly monitored. This is where inverter alarm systems come in.

Why are inverter alarms important?

Inverter alarms play a crucial role in maintaining electrical safety in various ways: Inverter alarms monitor the system in real-time, providing early warnings of problems such as power surges or battery issues. This early detection allows users to take corrective action before the problem worsens.

What does PV inverter ALARM mean



Solar PV SCADA 101: Alarms

These alarms involve the field equipment at the PV plant, including inverters, tracking systems, PV arrays and MET stations. Inverter alarms warn operators of problems ...

How to Read Solar Inverter Display

How to read solar inverter display? Your solar inverter display is the control center of your energy system, revealing real-time data about power generation, battery health, and ...

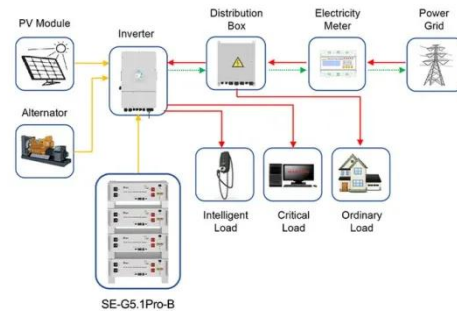


Understanding Inverter Alarms: Keeping Your Photovoltaic ...

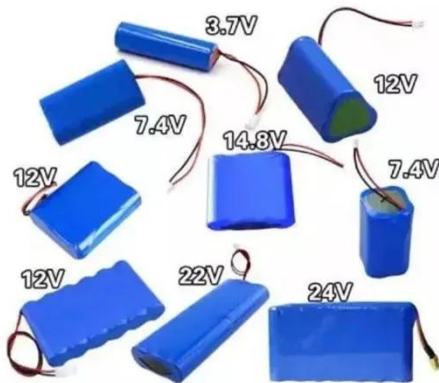
Discover how to troubleshoot common inverter alarms in photovoltaic systems. Learn to identify and resolve issues like 'No AC Connection,' 'Overtemperature,' and 'PV ...

Complete list of Alarm/Display Messages

Share this article: Share via Email Solis Display Messages In this article, we will provide a comprehensive explanation for all messages generated by Solis inverters, ranging ...



Application scenarios of energy storage battery products

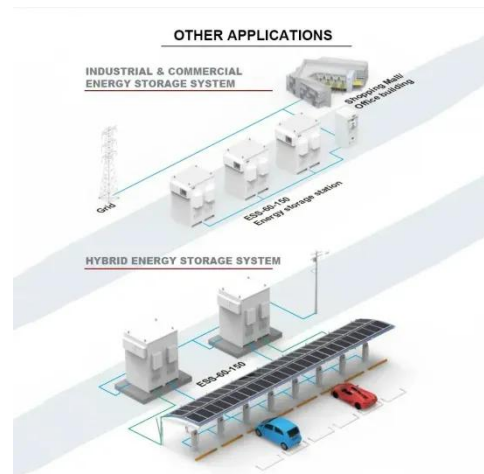


What are the signs that my solar inverter needs maintenance

Regular monitoring via your inverter's display panel and your solar system's performance data is essential. Preventive maintenance by qualified technicians, keeping the ...

PV Abnormal Alarm on Three-Phase Inverters

PV Abnormal Alarm (548-551) is a warning indicating that the inverter is detecting an unexpected amount of current through the strings or the MPPT. This alarm only occurs on ...



Understand common inverter alarm issues

Understand common inverter alarm



issuesAs the "heart" of photovoltaic power generation, the health of the inverter is closely related to the smooth operation of the ...

How to Respond When The Inverter Alarm Goes Off

An inverter alarm system is a built-in feature in many modern models that notify users of abnormal or unsafe conditions that could lead to system failures, damage, or safety ...



✓ IP65/IP55 OUTDOOR CABINET

✓ WATERPROOF OUTDOOR CABINET

✓ 42U/27U

✓ OUTDOOR BATTERY CABINET

Common fault causes and solutions of on grid solar inverter



This type of alarm means "no mains connection", generally appearing in single-phase inverters, indicating that the mains is not connected or the AC circuit breaker is ...

Contact Us

For catalog requests, pricing, or partnerships, please contact:

BLINK SOLAR

Phone: +48-22-555-9876

Email: info@blinkartdesign.pl

Website: <https://www.blinkartdesign.pl>

Scan QR code to visit our website:

