

BLINK SOLAR

What are the string energy storage power stations



Overview

How many kWh can a 50 mw/100 MWh energy storage project store?

Developed and managed by Datang Hubei Energy Development, the 50MW/100MWh energy storage project can store 100,000 kWh of electricity on a single charge, supplying power to approximately 12,000 households for an entire day. In a bid to diversify from lithium, China has been exploring alternative energy storage technologies.

What is China's first 100mw/200mwh power station?

The initial 50MW/100MWh phase of this ambitious 100MW/200MWh project in Hubei Province, China, has been successfully connected to the grid and commenced commercial operations. Notably, the commissioned project is also China's first 100-MWh-scale energy storage power station utilizing sodium-ion batteries.

Why should you choose a string PCs System?

Additionally, the string PCS units are engineered with IP66 protection rating to ensure durability in extreme temperatures and high humidity. As the project comes online, it effectively mitigates peak demand, enhances grid resilience, and guarantees a reliable power supply.

What are the string energy storage power stations



China powers up nation's largest standalone battery storage ...

A 500 MW/2,000 MWh standalone battery energy storage system (BESS) in Tongliao, Inner Mongolia, has begun commercial operation following a five-month construction ...

Industrial-Grade Intelligent String Energy Storage Systems ...

Explore SLENERGY's industrial-grade intelligent string energy storage systems, designed for large-scale power applications. Modular design, high reliability, and smart energy ...



Stationary Energy Storage , Battery Council International

Stationary energy storage is critical to supporting a strong energy future - delivering the reliability, resilience, and sustainability our nation depends on. To meet diverse ...



The Best of the BESS: The Role of Battery Energy Storage ...

In an era of rapid technological advancement and increasing reliance on renewable energy, battery energy storage systems (BESS) are emerging as pivotal players in ...

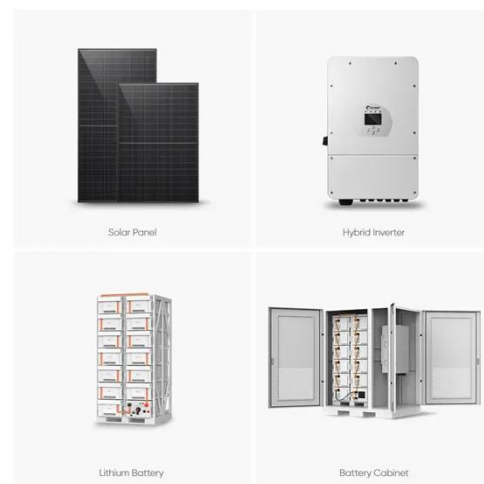


Energy Storage Power Stations in China: Powering the ...

As the world's largest energy consumer, China is building a smart energy network where storage systems act like giant "power banks" balancing supply and demand. The global ...

What is String Energy Storage Solution?

Under the background of carbon neutrality, building a new power system dominated by new energy has become a global consensus, and energy storage, as its core ...



Sineng Electric to Supply Energy Storage Solutions to the ...

Sineng's 2.5MW string PCS MV turnkey solution is meticulously designed to align

with the sodium-ion battery energy storage system's wide DC voltage range, supporting rated ...

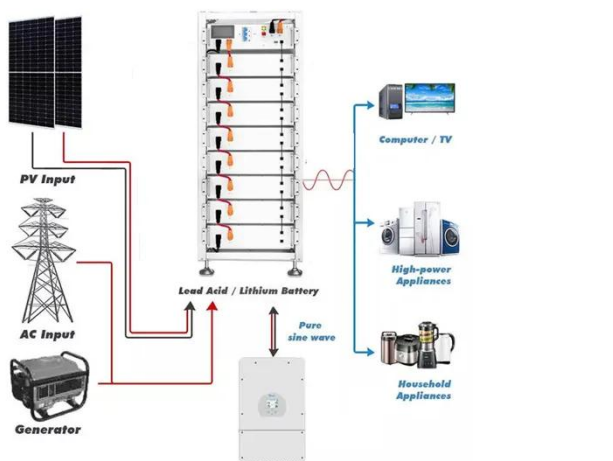


What is String Energy Storage Solution?

Under the background of carbon neutrality, building a new power system dominated by new energy has become a global ...



Deye inverters and Deye batteries are more compatible.



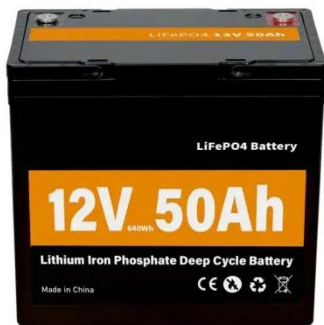
Smart String Energy Storage Systems Explained

Innovative smart string energy storage systems are poised to revolutionize how we store and manage energy. These advanced systems integrate cutting-edge technology to ...

Centralized and String Energy Storage Technologies: ...

Centralized energy storage technology performs well in large-scale applications

and cost efficiency, suitable for grid-scale large storage projects. In contrast, string energy storage ...



Energy Storage Power Stations: Key Solutions for Modern ...

Discover how energy storage stations are transforming power management across industries. From renewable integration to industrial backup systems, this article explores the technology, ...

Contact Us

For catalog requests, pricing, or partnerships, please contact:

BLINK SOLAR

Phone: +48-22-555-9876

Email: info@blinkartdesign.pl

Website: <https://www.blinkartdesign.pl>

Scan QR code to visit our website:

