

## BLINK SOLAR

# What are the standards for solar container energy storage systems in Pecs Hungary



## Overview

---

What is energy storage container?

SCU uses standard battery modules, PCS modules, BMS, EMS, and other systems to form standard containers to build large-scale grid-side energy storage projects.

What are the UL standards for energy storage systems?

UL 1973: Batteries for Use in Stationary and Motive Auxiliary Power Applications. Safety standard for modules and battery systems used in stationary energy storage systems. UL 9540, Energy Storage Systems and Equipment. Safety standard for energy storage systems used with renewable energy sources such as solar and wind.

What is the regulatory and compliance landscape for battery energy storage?

The regulatory and compliance landscape for battery energy storage is complex and varies significantly across jurisdictions, types of systems and the applications they are used in. Technological innovation, as well as new challenges with interoperability and system-level integration, can also amplify risks.

What are NERC standards?

NERC Standards (North America): The North American Electric Reliability Corporation establishes standards for the reliability of the bulk power system, including requirements for large-scale battery energy storage systems.

## What are the standards for solar container energy storage systems

---



### National standards for container energy storage

The goals of the workshop were to: 1) bring together all of the key stakeholders in the energy storage community, 2) share knowledge on safety validation, commissioning, and operations, ...

---

### Your Guide to Battery Energy Storage ...

As the battery energy storage market evolves, understanding the regulatory landscape is critical for manufacturers and stakeholders. ...

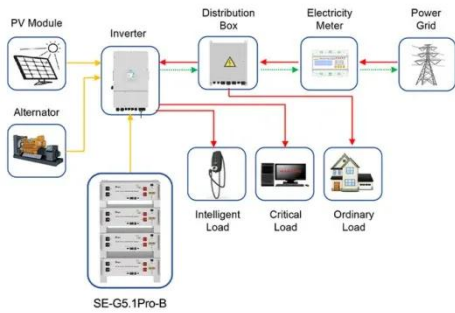


### Key Safety Standards for Battery Energy Storage Systems

Learn about key safety standards for Battery Energy Storage Systems (BESS) and how innovations like immersion cooling enhance safety and reliability.

## Standards for energy storage battery containers

Application of this standard includes: (1) Stationary battery energy storage system (BESS) and mobile BESS; (2) Carrier of BESS, including but not limited to lead acid ...



Application scenarios of energy storage battery products

## Your Guide to Battery Energy Storage Regulatory Compliance

As the battery energy storage market evolves, understanding the regulatory landscape is critical for manufacturers and stakeholders. This guide offers insights into ...

## How Container Energy Storage Supports Ground-Mounted Solar ...

A concise overview of container energy storage solutions for ground-mounted solar farms, covering system types, technical features, applications, pricing logic, and selection ...



## Container battery energy storage standards

What is a battery energy storage system (BESS) container design sequence? The



Battery Energy Storage System (BESS) container design sequence is a series of steps that outline the design ...

---

### Container energy storage power station based on ...

Containerized Battery Energy Storage Systems (BESS) are essentially large batteries housed within storage containers. These systems are designed to store energy from renewable ...



---

### Energy storage container, BESS container

What is energy storage container? SCU uses standard battery modules, PCS modules, BMS, EMS, and other systems to form standard containers to build large-scale grid ...

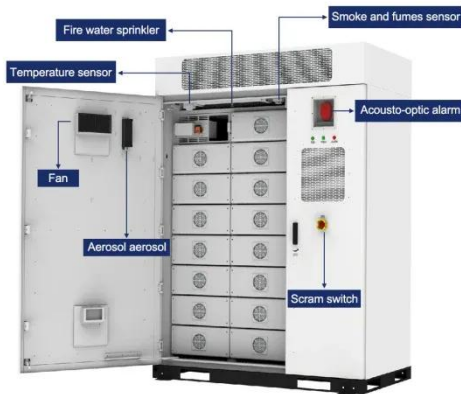


---

### U.S. Codes and Standards for Battery Energy ...

An overview of the relevant codes and standards governing the safe

deployment of utility-scale battery energy storage systems in the United ...



### Key Safety Standards for Battery Energy ...

Learn about key safety standards for Battery Energy Storage Systems (BESS) and how innovations like immersion cooling enhance ...

### Shipping Container Energy Storage System Guide

Explore innovative shipping container energy storage systems for sustainable, off-grid power solutions. Harness renewable energy storage effectively.



### U.S. Codes and Standards for Battery Energy Storage Systems

An overview of the relevant codes and standards governing the safe

deployment of utility-scale battery energy storage systems in the United States.



---

## Contact Us

---

For catalog requests, pricing, or partnerships, please contact:

### **BLINK SOLAR**

Phone: +48-22-555-9876

Email: [info@blinkartdesign.pl](mailto:info@blinkartdesign.pl)

Website: <https://www.blinkartdesign.pl>

*Scan QR code to visit our website:*

