

## BLINK SOLAR

# What are the safety standards for solar energy storage cabinets



## Overview

---

What are photovoltaic energy storage cabinets?

Photovoltaic energy storage cabinets are designed specifically to store energy generated from solar panels, integrating seamlessly with photovoltaic systems. Energy storage systems must adhere to various GB/T standards, which ensure the safety, performance, and reliability of energy storage cabinets.

What are energy storage cabinets?

Energy storage cabinets are crucial in modern energy systems, offering versatile solutions for energy management, backup power, and renewable energy integration. As technology advances, these systems will continue to evolve, providing more efficient and reliable energy storage solutions.

What is a base-type energy storage cabinet?

Base-type energy storage cabinets are typically used for industrial and large-scale applications, providing robust and high-capacity storage solutions. Integrated energy storage containers combine energy storage with other essential systems, such as cooling and control, within a single, compact unit.

What are supercapacitor and photovoltaic energy storage cabinets?

Supercapacitor cabinets provide rapid energy discharge and high power density, suitable for applications requiring quick bursts of energy. Photovoltaic energy storage cabinets are designed specifically to store energy generated from solar panels, integrating seamlessly with photovoltaic systems.

## What are the safety standards for solar energy storage cabinets

---

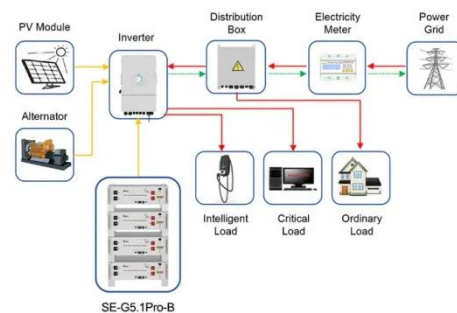


### What are the configuration requirements for energy storage cabinets

By adhering to strict safety standards, energy storage cabinet manufacturers can ensure long-term functionality, reliability, and protection for users and their systems. The ...

### White Paper Ensuring the Safety of Energy Storage ...

Ensuring the Safety of Energy Storage Systems Thinking about meeting ESS requirements early in the design phase can prevent costly redesigns and product launch ...



Application scenarios of energy storage battery products

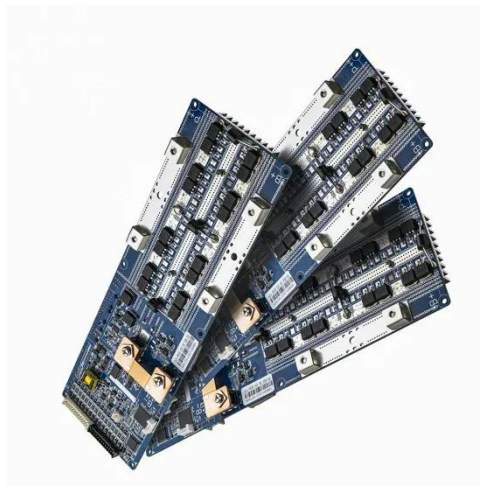


### Standards for Energy Storage Systems: Ensuring Safety and ...

The development of standards for energy storage systems is essential to ensure safety, reliability, and environmental sustainability within the rapidly evolving energy sector. As energy storage ...

## Understanding the Compliance Requirements for Solar Energy Storage

Compliance with these codes and standards is critical for the safe installation and operation of solar energy storage systems, as they provide guidelines for electrical safety, ...



## The Safety Standard You Must Know for Home Energy Storage

Learn the essential safety standards for home energy storage systems. Avoid fire, overload, and installation risks with trusted certifications and expert tips.

## ENERGY STORAGE CABINET SAFETY REQUIREMENTS AND STANDARDS

Liquid cooling energy storage cabinet composition structure The liquid-cooled energy storage system integrates the energy storage converter, high-voltage control box, water cooling ...



## Energy Storage Cabinets: Key Components, Types, and ...

Energy storage systems must adhere to various GB/T standards, which ensure the safety, performance, and reliability of energy storage cabinets. These standards provide ...



---

## NFPA 70B: New standard for PV, energy storage system ...

This includes more formalized policies, procedures, documentation, safety requirements, and personnel requirements that help ensure that PV and energy storage ...



---

## Energy storage cabinet quality standards

Another long-term benefit of disseminating safety test information could be baselining minimum safety metrics related to gas evolution and related risk limits for creation ...



---

## Safety Standards for Energy Storage Products: Why They ...

A solar farm's battery storage system overheats on a Texas summer afternoon.

Without proper safety protocols, what starts as a minor glitch could turn into headlines about "another ..."



---

## Contact Us

---

For catalog requests, pricing, or partnerships, please contact:

### **BLINK SOLAR**

Phone: +48-22-555-9876

Email: [info@blinkartdesign.pl](mailto:info@blinkartdesign.pl)

Website: <https://www.blinkartdesign.pl>

*Scan QR code to visit our website:*

