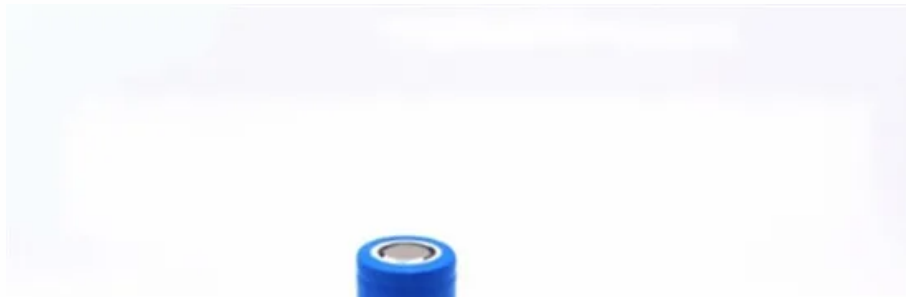


BLINK SOLAR

Voltage between solar panels



Overview

What is a solar panel voltage?

Voltage is the push behind the electricity that flows through your solar panels. Speaking of panels, every solar panel has a certain voltage output. Keep in mind that this output might vary based on factors like sunlight, temperature, and the number of solar cells in the panel.

How much power does a solar panel produce?

Maximum Power Voltage: The voltage at which your panel produces the most power typically falls between 18V to 36V. So, when you're thinking about solar panel voltage, just remember that it's the driving force that contributes to your energy production.

What is a good voltage for a solar panel?

It's usually between 21.7V and 43.2V. This number matters for safety planning. 1 **Maximum Power Voltage (V_{mp}):** This is the sweet spot voltage where your panel produces the most power (usually between 18V and 36V). Your system should try to operate at this voltage.

Why do solar panels have a higher voltage?

The number of solar cells in series affects the voltage output. So more cells in a panel means more voltage for your solar system. Sunlight is key! Sunlight intensity and angle play a role in the maximum power point (MPP) voltage of your solar panel. More sunlight, better angles, and more voltage.

Voltage between solar panels



Solar Panel Voltage: Understanding, Calculating and ...

At the heart of solar energy systems lie solar panels, the vital components responsible for converting sunlight into electricity. A single solar cell has a voltage of about 0.5 ...

Solar Panel Voltage: Guide to Getting the Best Performance

We break down how to choose between high voltage or high current, plus share real-world tips to help you avoid costly mistakes in your solar investments.



How many volts are two solar panels connected in series?

Connecting solar panels of different brands in series is generally not recommended, primarily due to the risk of performance discrepancies. Each manufacturer may produce ...



Understanding Solar Panel Voltage and ...

Decode solar panels specifications to safely connect your panels to power station or charge controller. This quick guide unlocks full solar potential.



Understanding Solar Panel Voltage: A Comprehensive Guide

Explore the voltage output of solar panels, discuss the difference between AC and DC power, and answer some commonly asked questions about solar panel voltage.

Understanding Solar Panel Voltage: A ...

Explore the voltage output of solar panels, discuss the difference between AC and DC power, and answer some commonly ...



Solar Panel Voltage Explained: Output & Regulation Guide

14 hours ago Solar panels convert sunlight into usable electrical energy --

LPSB48V400H
48V or 51.2V



but to truly understand how that energy flows, you need to grasp one fundamental concept: voltage. ...



How many volts are two solar panels ...

Connecting solar panels of different brands in series is generally not recommended, primarily due to the risk of performance ...



Understanding Solar Panel Voltage and Current Output

Decode solar panels specifications to safely connect your panels to power station or charge controller. This quick guide unlocks full solar potential.

What is Solar Panel Voltage? A Complete Guide on Types

Solar panel voltage is the DC pressure produced when sunlight falls on solar

cells. Explore its types and benefits. Discover the key factors that influence solar panel output ...



Understanding Solar Panel Voltage for Better Output

Find out how solar panel voltage affects efficiency and power output in our comprehensive guide. Get expert insights and tips for optimal solar power performance.

Solar Panel Voltage: 2025 Ultimate Guide

Discover the importance of solar panel voltage and how it affects performance. Learn about open circuit voltage, maximum power ...



What is Solar Panel Voltage? A Complete ...

Solar panel voltage is the DC pressure produced when sunlight falls on solar

cells. Explore its types and benefits. Discover the key factors ...



Solar Panel Voltage: Understanding, ...

At the heart of solar energy systems lie solar panels, the vital components responsible for converting sunlight into electricity. A single ...



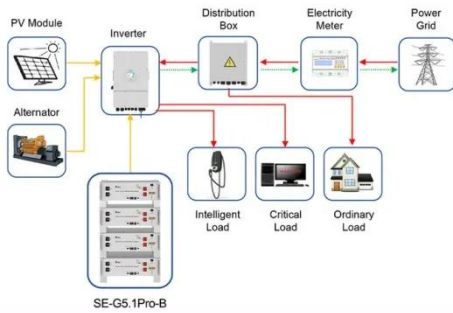
Solar Panel Voltage: 2025 Ultimate Guide

Discover the importance of solar panel voltage and how it affects performance. Learn about open circuit voltage, maximum power voltage, and factors influencing solar panel ...

Solar Panel Voltage: Guide to Getting the Best ...

We break down how to choose between high voltage or high current, plus share

real-world tips to help you avoid costly mistakes in ...



Application scenarios of energy storage battery products

Understanding Solar Panel Voltage for Better ...

Find out how solar panel voltage affects efficiency and power output in our comprehensive guide. Get expert insights and tips for ...

Solar Panel Voltage 101: How to Match Panels with Your ...

Learn how to match solar panel voltage with your generator for efficient and safe solar power. This guide covers 12V, 24V, and 48V panels, Vmp, and essential tips for optimal ...



Contact Us

For catalog requests, pricing, or partnerships, please contact:

BLINK SOLAR

Phone: +48-22-555-9876

Email: info@blinkartdesign.pl

Website: <https://www.blinkartdesign.pl>

Scan QR code to visit our website:

