

BLINK SOLAR

UPS uninterruptible power supply has a peculiar smell



Overview

A fan running at high speed continuously usually indicates an abnormal internal temperature or current for error code portable ups power supply, while a burning smell often means that the circuitry or battery pack has begun to experience thermal damage or a chemical reaction—situations with which have been documented in actual use. What is an uninterruptible power supply (UPS)?

An uninterruptible power supply (UPS), also known as a continuous power supply (CPS) or a battery backup is a device which maintains a continuous supply of electric power to connected equipment by supplying power from a separate source when utility power is not available.

Does a new back-ups 1500 smell bad?

I purchased a new Back-UPS 1500 to supplement my 6-year-old one, for which I purchased a new battery at the same time. Unfortunately the new unit has a very strong smell. I thought it would perhaps burn off and have had the unit on for about ten days now, but the smell is as strong as ever.

Does ups smell good?

I've used UPSs in my home before, including APC, but have never experienced this. I'm very concerned about what this smell could be. It does not smell like something that is particularly healthy to be inhaling on a long-term basis.

Why does my new ups smell like 'factory dust'?

At first run, I was thinking to myself that the new UPS, being bigger in battery capacity as compared to my old one, was just highly electrically charged and had some "factory dust" in it. This is because it first had an aroma similiar to what some ionizer/ozoner equipment sometimes have.

UPS uninterruptible power supply has a peculiar smell



What Does a Bad Battery Smell Like?

An unusual odor emanating from any power source, such as a car battery, a home uninterruptible power supply (UPS), or a small rechargeable device, is a serious warning sign ...

Understanding UPS (Uninterruptible Power ...

An Uninterruptible Power Supply (UPS) is a power protection device equipped with an energy storage unit, primarily utilizing an inverter ...



Uninterruptible Power Supplies (UPS)

Default DescriptionIn a variety of environments, including data centers, hospitals, and commercial buildings, uninterruptible power supplies (UPS) are essential for ensuring consistent and ...

Is it normal for UPS to smell? - ProfoundAdvice

Is it normal for UPS to smell? Are you asking about a consumer-grade Uninterruptible Power Supply (UPS), commonly sold for home computer protection? No, it is not normal to get any ...

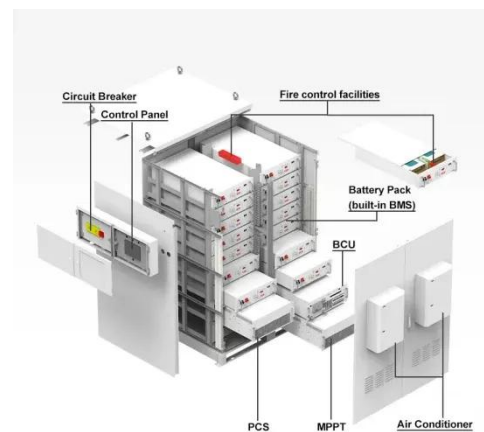


Solved: My new Back-UPS 1500 smells

I purchased a new Back-UPS 1500 to supplement my 6-year-old one, for which I purchased a new battery at the same time. Unfortunately the new unit has a very strong smell. ...

Top 5 Causes of UPS Failure

There are five main reasons why a UPS may not operate properly or a UPS failure may occur. Problems can occur due to battery failure, capacitor problems, fan failure, ageing ...



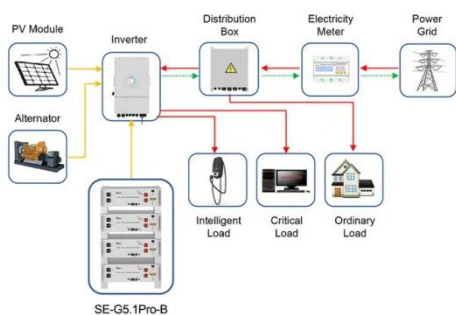
Why You Need to Have an Uninterruptible Power Supply (UPS)



An Uninterruptible Power Supply (UPS) is a device that provides backup power to electronic devices during a power outage or when the main power source fails. The UPS does ...

Eaton 5P UPS literally stinks

We got a brand new Eaton 5P 850VA UPS which came to us in a sealed box. The UPS itself works fine, and I do like the display and the easy access to the batteries (although ...



Application scenarios of energy storage battery products

UPS Batteries Smell - Rotten Eggs?

UPS batteries smell of rotten eggs. When old UPS batteries begin to fail, they can leak and give off a rotten egg smell. The gas emitting from a failing battery is colourless, poisonous if inhaled ...

Solved: Smell from UPS is making me sick

We have an APC BE750G that is about 5 days old. When plugged-in it is giving off

a noxious smell that is giving me a headache and making me nauseous. I suffered through this ...

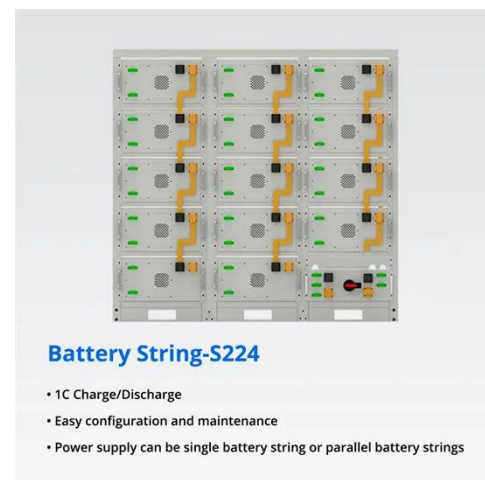


Eaton UPS fundamentals handbook

If you're installing a smaller UPS behind a larger UPS, you must consider the total potential power of the smaller UPS as well as other loads that will be powered by the larger UPS.

New UPS (Uninterrupted Power Supply) emitting a plastic smell?

New UPS (Uninterrupted Power Supply) emitting a plastic smell? Got a CyberPower CP1000AVRLCD Intelligent LCD Series UPS 1000VA 600W AVR Mini-Tower that seems to be ...



Question

When I entered my room today, all of it have a smell of burnt. After several

hours, I found the cause of the smell is my Advice AIN1200-3, 1200VA, two batteries UPS which have ...



Contact Us

For catalog requests, pricing, or partnerships, please contact:

BLINK SOLAR

Phone: +48-22-555-9876

Email: info@blinkartdesign.pl

Website: <https://www.blinkartdesign.pl>

Scan QR code to visit our website:

