

BLINK SOLAR

Türkiye outdoor energy storage vehicle



Overview

How big is Türkiye's energy storage capacity?

Türkiye's 35 GWh storage capacity accounts for grid-scale projects alone. Global energy storage investments have surpassed 150 GWh. Türkiye has already begun installations in Hungary, Bulgaria, and Spain, leveraging its geographic advantage close to Europe.

Where does Türkiye invest in energy storage?

Global energy storage investments have surpassed 150 GWh. Türkiye has already begun installations in Hungary, Bulgaria, and Spain, leveraging its geographic advantage close to Europe. Tokcan highlighted the importance of local expertise in manufacturing, system management, and maintenance to avoid dependency on foreign firms.

Is Polat Energy Turkey's largest battery energy storage system?

Once commissioned, the facility will be Turkey's largest battery energy storage system. Polat Energy is an established renewables developer in Turkey, owning approximately 6% of the country's installed wind energy capacity with a cumulative power output of around 660 MW.

Can Türkiye become a regional hub for battery technology?

"We believe Türkiye can become a regional hub for battery technology, and our government is committed to making this a reality," Tokcan said. These efforts will position Türkiye as a leader in energy storage innovation, fostering collaboration and supporting renewable energy goals.

Türkiye outdoor energy storage vehicle

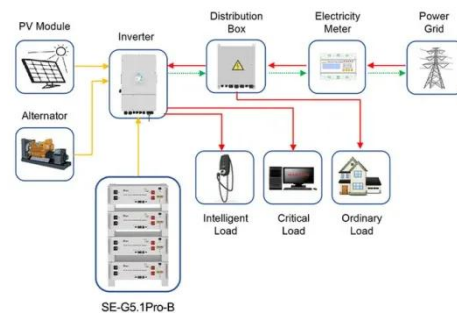


China's Eve Energy to Set Up Energy Storage Joint Venture

(Yicai) Jan. 16 -- Chinese battery maker Eve Energy said it will form an energy storage joint venture in Türkiye to bolster its influence and competitiveness in the global market for lithium ...

Energy Storage Equipment, Energy storage solutions, ...

Huijue Group offers industrial and commercial energy storage, PV-BESS -EV Charging, Off-grid / On-grid Microgrid, telecom site solutions, and home solar energy storage, ...



Application scenarios of energy storage battery products



Türkiye

The most striking development in Türkiye's energy market in 2024 was investments in solar and wind power plants with energy storage. A regulation introduced in July 2022 ...

The installation of Türkiye's first energy storage facility ...

As a result of the agreement between Polat Enerji, T Dinamik Enerji, and Tegnatia EPC Solutions, the installation of Turkey's first energy storage facility integrated into ...



Polat Energy, Rolls-Royce partner on Turkey's largest battery storage

Polat Energy and Rolls-Royce are collaborating on Turkey's biggest battery energy storage project, a 132 MWh system co-located with an operating wind farm.

Battery Storage And Infrastructure: The Next Leap In Türkiye's Energy

4. Infrastructure: The Hidden Backbone of the Transition While storage is the visible technological enabler, infrastructure is the invisible foundation of the energy transition. ...



EVE Energy Showcases Cutting-Edge Energy Storage ...



EVE Energy collaborates with Türkiye's Aksa Power Generation at Solarex Istanbul 2025, presenting high-efficiency energy storage systems to advance renewable integration ...

Türkiye outdoor energy storage system

Energy Storage Systems provide an increase in efficiency by shifting the load to renewable energy at the moment of consumption while lowering additional investment demand ...



Rolls-Royce wins large-scale mtu battery storage order for ...

Largest battery storage project in Turkey with 132 MWh capacity Polat Enerji ensures grid integration of renewable energies with Wind energy-BESS system mtu ...

Türkiye to invest \$10B in energy storage to boost wind and solar energy

Türkiye is making significant strides toward its 2053 net-zero carbon emissions goal by ramping up investments in energy storage systems according to Türkiye daily. The ...



Contact Us

For catalog requests, pricing, or partnerships, please contact:

BLINK SOLAR

Phone: +48-22-555-9876

Email: info@blinkartdesign.pl

Website: <https://www.blinkartdesign.pl>

Scan QR code to visit our website:

