

## **BLINK SOLAR**

**The whole process of  
uninterrupted power supply  
construction for solar container  
communication stations  
includes**



## Overview

---

The system incorporates a high-efficiency photovoltaic array, a maximum power point tracking (MPPT) charge controller, deep-cycle battery storage, and a DC-to-AC inverter, coordinated through a programmable control logic. How do UPS systems work?

Such UPS systems use energy storage technologies such as batteries or flywheels to provide power to loads in the absence of applied power. Typically, static power electronics such as fast-switching high-current insulated gate bipolar transistors (IGBTs) are used to convert power.

What is an uninterruptible power supply (UPS) system?

Abstract. In the modern world, when there is a power outage or a power failure, telecommunication systems, computer systems, and many other critical equipment, such as medical equipment, require uninterrupted power to support their operation. Uninterruptible power supply (UPS) systems are used for this purpose.

What is an uninterruptible power supply system?

Uninterruptible Power Supply System When utility mains are not available, electricity can be supplied from a source such as a standard connected equipment UPS, which provides power supply. UPS is mostly used for critical loads and is kept between commercial utility mains.

How a solar power system works?

When the solar energy is unavailable, the battery gets charged parallelly using this reliable source. When gets supplied from the backup power system. The solar panels are connected to the battery using the charge controller. This charge controller regulates the battery charging in its limits. The AC mains are directly connected to the battery section.

## The whole process of uninterrupted power supply construction for s

---



### Uninterruptible Power Supply (UPS): Block ...

Key learnings: UPS Definition: A UPS (Uninterruptible Power Supply) is defined as a device that provides immediate power during a ...

---

### Site Energy Revolution: How Solar Energy ...

As global energy demands soar and businesses look for sustainable solutions, solar energy is making its way into unexpected ...



### Mobile Solar Container Portable PV Power ...

40ft Mobile Solar Container Additional Features: Increased Capacity: Double the space means more solar panels, batteries, and greater energy ...

## Design and implementation of smart uninterruptible power supply ...

The objective of this paper is to provide an uninterruptible power supply to the customers by selecting the supply from various reliable power sources such as solar ...



## solarfold , Mobile Solar Container

The mobile solar container contains 200 PV modules with a maximum nominal power rating of 134kWp, and can be extended with suitable ...

## Construction Of Uninterruptible Power Supply Using Solar ...

ABSTRACT In this work an uninterruptible power supply system that can be continually charged by the sun, has been Constructed using a photovoltaic panel regulated to desired voltage. ...



## How Are Shipping Containers Powered?

Learn about the potential of the LZY-MS1 mobile solar container system,



advanced containerized solar panels,  
and explore how ...

---

## ENABLING UNINTERRUPTED POWER DESIGN FOR RELIABILITY IN

How about uninterrupted power supply  
for communication base stations UPS for  
telecoms infrastructure provide the  
reliable power needed both during and  
after the 5G cellular network ...



---

## Commercial and Industrial ESS

Air Cooling / Liquid Cooling

- Budget Friendly Solution
- Renewable Energy Integration
- Modular Design for Flexible Expansion



## Algorithms for uninterrupted power supply to mobile ...

Uninterrupted power supply to base  
stations is a key factor in ensuring the  
effective operation of mobile  
communication networks. Short or long-  
term power outages ...

---

## An overview of Uninterruptible Power Supply Systems

Abstract. In the modern world, when  
there is a power outage or a power

failure, telecommunication systems, computer systems, and many other critical equipment, such as ...

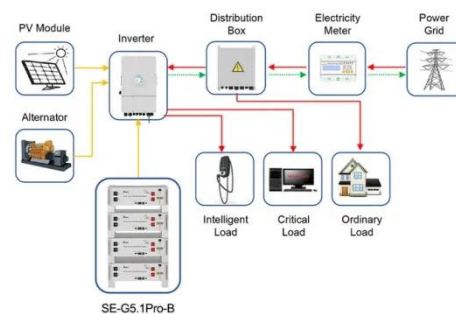


### Site Energy Revolution: How Solar Energy Systems Reshape Communication

As global energy demands soar and businesses look for sustainable solutions, solar energy is making its way into unexpected places--like communication base stations. By ...

### Design And Implementation Solar Based Uninterruptible Power Supply

The increasing reliance on continuous power supply in various sectors necessitates innovative solutions to address power outages and reduce dependency on conventional ...



Application scenarios of energy storage battery products

### Design and implementation of smart ...

The objective of this paper is to provide an uninterruptable power supply to the

customers by selecting the supply from various ...



### Mobile solar container

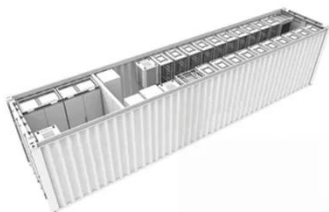
Mobile solar container The Solar PV Container is a containerized solar power solution has been designed with the aim of combining solar electricity ...



 **TAX FREE**

**1-3MWh**

**BESS**



### Design of an Uninterruptible Power Supply (UPS)

The design of this uninterrupted power supply (UPS) for personal computer (PC) is necessitated due to a need for enhanced portability in the design of personal computer ...

### Energy storage container, BESS container

Energy Storage Container Adding Containerized Battery Energy Storage

System (BESS) to solar, wind, EV charger, and other renewable ...



### Design and Development of a Smart Solar Photovoltaic ...

This project focuses on the research, development, and implementation of a solar Photo Voltaic (PV) Uninterruptible Power Supply (UPS) as a backup source of energy from the ...

### Design and management of photovoltaic energy in uninterruptible power

In this context, uninterruptible power supply systems play a crucial role in ensuring reliable and high-quality energy supply. As an added benefit, photovoltaic energy generation ...



### Solar containers, solutions for quick solar ...

Many developing countries and isolated or island territories lack economic and

social development opportunities due to the unavailability of a clean ...



---

## **DESIGN AND CONSTRUCTION OF UNINTERRUPTIBLE POWER SUPPLY**

Introduction The human desire to have a steady power supply for domestic and industrial purposes gave rise to an uninterrupted Power supply (UPS). Globally, the need and ...



---

## **Design and Development of a Solar-Powered ...**

This research presents the architectural design and implementation of a solar photovoltaic-based uninterruptible power supply (Solar UPS) that synergistically integrates ...

---

## **ANALYSIS OF METHODS OF PROVIDING UNINTERRUPTED POWER**

...

In this work, an analysis of methods for

providing mobile communication base stations with uninterrupted power supply was conducted. As a result of the analysis, the ...



---

## Contact Us

---

For catalog requests, pricing, or partnerships, please contact:

### **BLINK SOLAR**

Phone: +48-22-555-9876

Email: [info@blinkartdesign.pl](mailto:info@blinkartdesign.pl)

Website: <https://www.blinkartdesign.pl>

*Scan QR code to visit our website:*

