

BLINK SOLAR

South Africa Balti base station solar container battery



Overview

In a significant stride toward renewable energy, South Africa's largest solar battery storage system commenced operations on Decem, setting a paradigm for sustainable power generation in the country. Why should we invest in battery energy storage in South Africa?

We applaud the South African government's commitment and dedication to the renewable energy procurement programmes. Battery energy storage will continue to play an important role in the energy transition, and we will continue to be at the forefront across our core markets," says Scatec CEO Terje Pilskog.

Does South Africa have a battery storage tender programme?

South Africa is aiming to procure utility-scale battery storage with two tender programmes: its Battery Storage IPP Procurement Programme as well as hybrid battery storage and variable renewables projects through its Risk Mitigation IPP Procurement Programme.

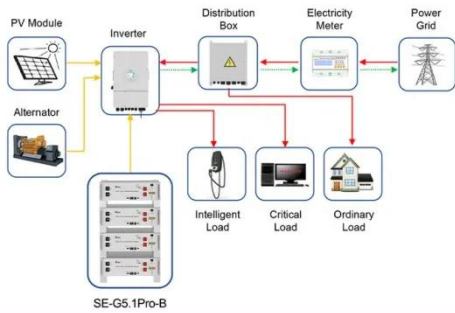
Will solar batteries help South Africa's energy grid?

South Africa's state-owned utility Eskom anticipates that these projects will showcase the effectiveness of batteries in facilitating the integration of renewable energy into the country's energy mix, while simultaneously easing the strain on the national electricity grid.

How much does Scatec's battery energy storage project cost?

The estimated total capex for the battery energy storage project is ZAR 2.2 billion (USD 120 million) of which Scatec's EPC contracts account for approximately 80%. The project will be financed by 90% non-recourse project debt and the remaining by equity from the owners.

South Africa Balti base station solar container battery



Application scenarios of energy storage battery products

BESS eskom brochure RGB 8 Nov

BESS, or Battery Energy Storage Systems, stores electricity in batteries for on-demand power supply. The phrase "battery system" encompasses battery design, ...

South Africa Ushers in Renewable Era with Largest Solar Battery ...

Discover how South Africa's transition to renewable energy reached a new peak with Scatec's Kenhardt hybrid solar and battery facility, outperforming coal-powered stations in ...



FLEXIBLE SETTING OF MULTIPLE WORKING MODES



Containerized Battery Storage Solutions Explained , Huijue Group South

The Future Is Mobile and Adaptive As we approach Q4 2025, three emerging trends are shaping container battery storage: AI-driven predictive maintenance reducing downtime by 40% Hybrid ...

South Africa Tests Solar-Wind Battery Swapping Stations to ...

...

Solar and wind-powered battery swapping stations offer a faster alternative to lengthy EV charging times in South Africa, potentially accelerating electric vehicle adoption ...



Scatec wins battery storage project in South Africa



The project will be financed by 90% non-recourse project debt and the remaining by equity from the owners. "Today's award reaffirms our standing as a leading renewable ...

Scatec Secured 123 MW/492 MWh Battery Storage Project In South Africa

Scatec ASA has been named the preferred bidder for the Haru Battery Energy Storage System (BESS) Project in South Africa, with a capacity of 123 MW/492 MWh. This ...

HEAT DISSIPATION

Cold aisle containment, making optimal refrigeration effect;



South Africa Balti base station energy storage battery



South Africa Balti base station energy storage battery South Africa: Globeleq's Red Sands battery energy storage · Construction at the Red Sands battery ...

Six solar battery projects paving the way in Africa

Join us as we explore some of the latest solar battery projects and procurement processes making strides in Nigeria, Mozambique, the Central African Republic, Senegal, ...



Containerized battery storage quotation in South Africa ...

The biggest battery energy storage system (BESS) in South Africa boasts 1,140 megawatt-hours (MWh) of storage capacity, enough to supply the average demand of 76,000 ...

Scatec wins major battery storage project in South Africa

Scatec has been awarded the prestigious contract for the 123 MW/492 MWh Haru

Battery Energy Storage System, a pivotal project aimed at stabilising South Africa's national ...



South Africa's biggest solar battery now online -- with more ...

In mid-December 2023, the largest solar battery storage system in South Africa commenced supplying power to Eskom's grid. Scatec ASA officially initiated operations at its ...

50 to 200kW Battery Energy Storage Systems

MEGATRON 150kW BESS All-In-1 Battery Energy Storage Systems MEGATRON 50kW to 200kW Battery Energy Storage Solution is the ideal fit for light to medium commercial ...



African Battery - Pan-African Battery Metals AG ("Pan-African...)



African Battery Metals AG ("African Battery") is a holding company created with the purpose of acquisition, exploration and management of mining assets across Africa. The company's ...

Utility-scale batteries in South Africa: Improving grid stability

...

In South Africa, battery storage is increasingly seen as a key pillar to help provide grid stability and integrate variable renewables given its ageing coal-fired power fleet and grid. ...



Contact Us

For catalog requests, pricing, or partnerships, please contact:

BLINK SOLAR

Phone: +48-22-555-9876

Email: info@blinkartdesign.pl

Website: <https://www.blinkartdesign.pl>

Scan QR code to visit our website:

