

BLINK SOLAR

Solar street light power storage price



Overview

How much do solar street lights cost?

All-in-One Solar Street Lights: These lights have the solar panel, battery, and LED lamp integrated into a single unit. They are easier to install and typically cost less upfront. Prices can range from \$100 to \$500 per unit. **Split-Type Solar Street Lights:** In this design, the solar panel and the battery are separate from the light fixture.

What are solar street lights?

Solar street lights are lighting fixtures that use solar energy to illuminate public areas at night. They use LED technology for better efficiency and store energy in batteries for later use.

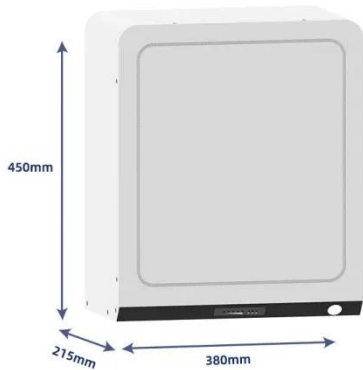
Are solar street lights sustainable?

As cities and communities shift towards sustainable and energy-efficient solutions, solar street lights have emerged as a popular choice for outdoor illumination. Powered by the sun, they reduce electricity consumption and environmental impact.

Do solar street lights save money?

While solar street lights may have higher initial costs compared to traditional street lights, they offer significant savings over time: **Energy Savings:** Since solar street lights use renewable energy from the sun, they eliminate electricity bills, which can save thousands of dollars over their lifespan.

Solar street light power storage price



Solar street light prices in 2025, DAT Group

The lights use Philips 3030 LED chips (Netherlands) with a luminous efficacy of 170lm/W and a durability of over 12 years. The lithium LiFePO4 storage battery has a capacity ...

Outdoor Solar Powered Street Lights

Series Falcon Outdoor Solar Powered Street Lights Series Falcon solar powered street lights are using the latest series Falcon high ...

INTEGRATED DESIGN
EASY TO TRANSPORT AND INSTALL,
FLEXIBLE DEPLOYMENT



What is the average price of solar street lights? , NenPower

Although solar street lights rely on sunlight for energy, they can operate effectively even in cloudy weather, thanks to advanced battery storage capabilities. These systems are ...

How Much Do Solar Street Lights Cost? Pricing Guide

As cities and communities shift towards sustainable and energy-efficient solutions, solar street lights have emerged as a popular choice for outdoor illumination. Powered by the ...

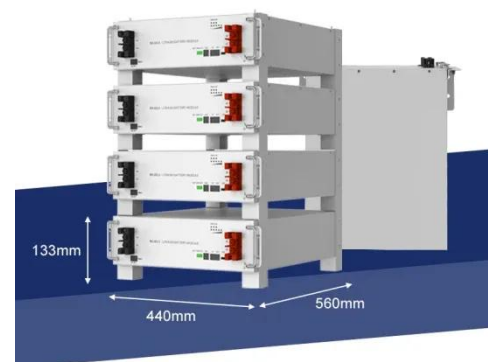


Solar Street Lighting Cost Explained

The solar street lighting cost varies depending on their technical specifications like lighting power, the efficiency of solar panels, ...

Best All in One Solar Street Light

Buy premium-quality All in One Solar Street Light and street lights at SunEco China. Browse through our website to know your options. Best Prices.



Solar Street Light Price Analysis: Key Factors Affecting Cost ...

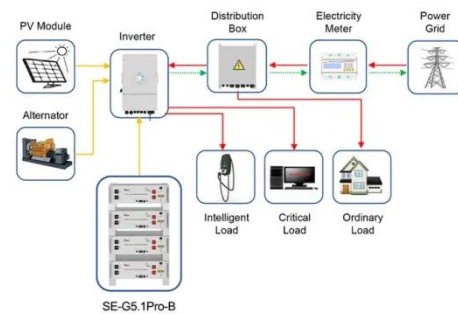
The cost of a solar street light depends on its battery, solar panel wattage, and



controller efficiency -- learn which factors matter most for your 2025 projects.

Solar Street Light Price List 2025: A Comprehensive Guide to Power

Ever wondered why solar street light prices fluctuate like cryptocurrency? Let's decode the economics. Solar-powered lighting systems typically range from \$15 for basic garden lights to ...



Application scenarios of energy storage battery products



Affordable Solar Energy Street Light Prices: A ...

The Ultimate Guide to Solar Energy Street Light Prices As urban areas increasingly embrace sustainable energy solutions, solar street lighting has emerged as a ...

(PDF) Power Saving Solar Street lights

The plenty of solar energy available during the day time is stored in a solar

cell and the stored energy is used to glow the street ...

FLEXIBLE SETTING OF MULTIPLE WORKING MODES



How Much Do Solar Street Lights Cost?



When evaluating the solar energy street light price, it's crucial to assess the performance and compatibility of these subsystems -- not just the lamp wattage or panel size. ...

Solar Street Light Technology and Benefits

This thorough guide will explore the complex realm of solar street light technology, revealing the inner workings that make these ...



Guangzhou HY Energy Technology limited Corp.

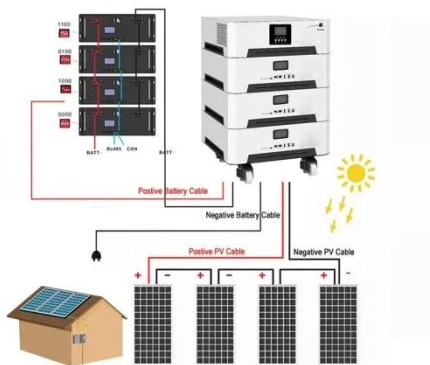
Wind solar hybrid street lighting is an intelligent and complete stand-alone LED

street lighting system. Composed of solar modules and small wind turbine, deep cycle ...



Solar street light price and component cost ...

Solar street light prices are mainly influenced by specifications. Higher wattage, panel, and battery capacity lead to higher prices. Solar ...



Solar-Powered Street Lighting: Benefits And ...

Solar-powered street lighting presents a sustainable solution to urban illumination, harnessing renewable energy to illuminate roads, ...

Solar Street Light Cost, Manufacturers & Safety Design: A ...

Explore the cost of solar street lights, how to choose reliable manufacturers,

and municipal safety design. Understand ROI, specs, maintenance, and smart features for ...



Solar Street Lighting Cost Explained

The solar street lighting cost varies depending on their technical specifications like lighting power, the efficiency of solar panels, construction durability, autonomy, etc. Typically, ...

How Much Do Solar Street Lights Cost?

As cities and communities shift towards sustainable and energy-efficient solutions, solar street lights have emerged as a popular ...



10 Best Solar Street Lights in the Philippines ...

As sustainable living gains momentum in the Philippines, solar street lights have

become a go-to choice for outdoor lighting. These innovative lights ...



Adjustable All-in-one Lifepo4 Battery Solar ...

AN-SLZ2 is an all-in-one solar street light that cleverly combines high-power solar panels, large-capacity energy storage batteries, Bridgelux high ...



Solar street light price and component cost breakdown

Solar street light prices are mainly influenced by specifications. Higher wattage, panel, and battery capacity lead to higher prices. Solar street lights comprise solar panels, ...



All-in-One Integrated Solar Powered LED ...

Leading All-in-one solar street lights manufacturer in China, innovation

design lightings series models, suit to any lighting projects. Get ...



 Extreme Light Weight

 X3 Extended Cycle life

 Low Self Discharge

 Superior Cranking Power

 Completely Sealed

 Environmental

What is the average price of solar street ...

Although solar street lights rely on sunlight for energy, they can operate effectively even in cloudy weather, thanks to advanced ...

Contact Us

For catalog requests, pricing, or partnerships, please contact:

BLINK SOLAR

Phone: +48-22-555-9876

Email: info@blinkartdesign.pl

Website: <https://www.blinkartdesign.pl>

Scan QR code to visit our website:

