

BLINK SOLAR

Solar panel power generation voltage range



Overview

How many volts does a solar panel have?

Residential solar panels typically have a voltage range between 12 and 96 volts, with the most common being 12, 24, and 48 volts. The actual voltage output of a solar panel can vary depending on factors such as temperature, sunlight intensity, and the panel's design.

How much power does a solar panel produce?

A typical solar panel produces between 30-45 volts DC, depending on factors like panel size, cell efficiency, and environmental conditions. Optimizing your system's voltage ensures maximum power output and compatibility with your inverter.

What is voltage output from a solar panel?

Voltage output directly from solar panels can be significantly higher than the voltage from the controller to the battery. Maximum Power Voltage (V_{mp}). This is the voltage when the solar panel produces its maximum power output; we have the maximum power voltage and current here. Here is the setup of a solar panel:.

How many volts is a 36 cell solar panel?

36-Cell Solar Panel Output Voltage = $36 \times 0.58V = 20.88V$ What is especially confusing, however, is that this 36-cell solar panel will usually have a nominal voltage rating of 12V. Despite the output voltage being 18.56 volts, we still consider this a 12-volt solar panel.

Solar panel power generation voltage range

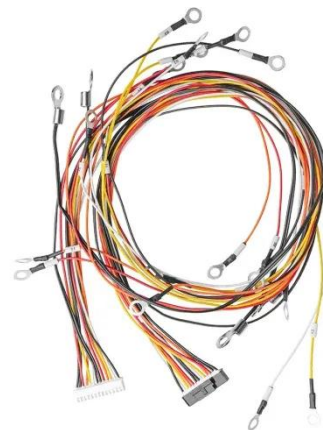


Solar cell power generation voltage range

In essence, solar panel voltage refers to the electrical potential difference generated by the photovoltaic cells within the solar panels when exposed to sunlight. This ...

How to choose the voltage range of solar panels , NenPower

The ideal voltage range for solar panels is contingent upon the specific solar panel model and the energy demands of the system. Most residential solar panels operate within a ...



Solar Panel Output Voltage: 2025 Complete Guide

Learn about solar panel output voltage ranges (5-1500V), VOC, VMP calculations. Discover how Grace Solar's global expertise ensures optimal voltage performance for residential & ...

What Voltage Does a Solar Panel Produce? The Surprising ...

In conclusion, understanding solar panel voltage is crucial when designing a residential solar system. A typical solar panel produces between 30-45 volts DC, depending ...



How Much Voltage Does a Solar Panel Produce and Why It ...

Learn how much voltage solar panels produce, common myths, downsides, and FAQs to make informed decisions about solar energy systems.

How to choose the voltage range of solar ...

The ideal voltage range for solar panels is contingent upon the specific solar panel model and the energy demands of the system. Most ...



Solar Panel Voltage: 2025 Ultimate Guide

Discover the importance of solar panel voltage and how it affects performance.



Learn about open circuit voltage, maximum power voltage, and factors influencing solar panel ...

Solar Panel Output Voltage: How Many Volts ...

It's not all that easy to find the solar panel output voltage; there is a bit of confusion because we have 3 different solar panel voltages. To ...



Solar Panel Output Voltage: How Many Volts Do PV Panel ...

It's not all that easy to find the solar panel output voltage; there is a bit of confusion because we have 3 different solar panel voltages. To help everybody out, we will explain how ...

Understanding Solar Panel Voltage: A Comprehensive Guide

Solar panels are integral to harnessing solar energy, transforming sunlight into

electricity through photovoltaic cells. Understanding the voltage output of solar panels is ...



How many V voltage does the solar panel usually produce?



The typical voltage output of solar panels varies, but it commonly falls within 1. 18 to 22 volts for standard photovoltaic modules, 2. 36 to 40 volts for larger, higher-powered ...

What Voltage Does a Solar Panel Produce? The Surprising Answer

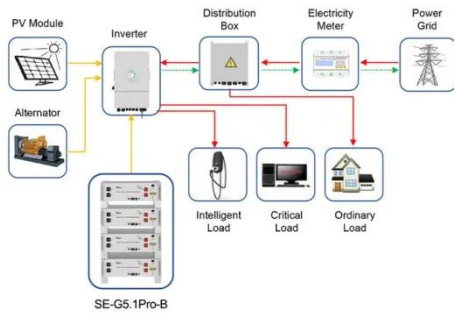
In conclusion, understanding solar panel voltage is crucial when designing a residential solar system. A typical ...



Understanding Solar Panel Voltage: A ...

Solar panels are integral to harnessing solar energy, transforming sunlight into

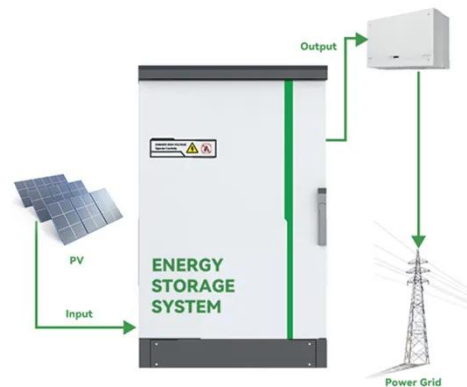
electricity through photovoltaic cells. ...



Application scenarios of energy storage battery products

Solar Panel Voltage: 2025 Ultimate Guide

Discover the importance of solar panel voltage and how it affects performance. Learn about open circuit voltage, maximum power ...



Solar Panel Voltage Explained: Output & Regulation Guide

10 hours ago Solar panels convert sunlight into usable electrical energy -- but to truly understand how that energy flows, you need to grasp one fundamental concept: voltage. ...



How many V voltage does the solar panel ...

The typical voltage output of solar panels varies, but it commonly falls

within 1. 18 to 22 volts for standard photovoltaic modules, ...



Contact Us

For catalog requests, pricing, or partnerships, please contact:

BLINK SOLAR

Phone: +48-22-555-9876

Email: info@blinkartdesign.pl

Website: <https://www.blinkartdesign.pl>

Scan QR code to visit our website:

