

BLINK SOLAR

Solar panel power component classification



Overview

What are the components of a photovoltaic power plant?

A photovoltaic power plant consists of several main components. These include: Solar modules, which are the basic units of a PV system made up of solar cells that turn light into electricity. Solar cells, typically made from silicon, absorb photons and release electrons, creating an electric current.

What is a solar photovoltaic (PV) energy system?

Solar photovoltaic (PV) energy systems are made up of different components. Each component has a specific role. The type of component in the system depends on the type of system and the purpose.

What are the components of a solar system?

The type of component in the system depends on the type of system and the purpose. For example, a simple PV-direct system is composed of a solar module or array (two or more modules wired together) and the load (energy-using device) it powers. The most common loads are submersible water pumps, and ventilation fans.

What is a photovoltaic power plant?

A photovoltaic power plant is a large-scale PV system that is connected to the grid and designed to produce bulk electrical power from solar radiation. It consists of several components, such as solar modules, which are the basic units of a PV system made up of solar cells that turn light into electricity.

Solar panel power component classification



Photovoltaic panel power classification

Below we analyze in more detail each of the most common photovoltaic solar panels types: Monocrystalline silicon (mono-Si) solar cells are pretty easy to recognize by their uniform ...

A review on the classifications and

...

Our aim of this work is to present a review of solar photovoltaic (PV) systems and technologies. The principle of functioning ...



Solar Power Plants: Types, Components and Working Principles

Solar power plants are systems that use solar energy to generate electricity. They can be classified into two main types: photovoltaic (PV) power plants and concentrated solar ...

Exploring the 5 Main Types of Solar Energy: ...

Solar energy is a renewable energy source that has gained immense popularity in recent years as a cleaner, more sustainable ...



Components of a Photovoltaic System

These components are what distributes and stores electricity safely and efficiently and can account of up to half the cost of the total ...

Solar Power Plants: Types, Components and ...

Solar power plants are systems that use solar energy to generate electricity. They can be classified into two main types: ...



Classification of Photovoltaic Power Systems

Classification of Photovoltaic (PV) systems has become important in

understanding the latest developments in improving system performance in energy harvesting. This chapter ...



Recycling of end of life photovoltaic solar panels and ...

Additionally, solar panels are vulnerable to damage from severe weather [13], [14], [15]. Although, solar energy is clean, the manufacturing, transportation, and installation of solar ...



A review on the classifications and applications of solar ...

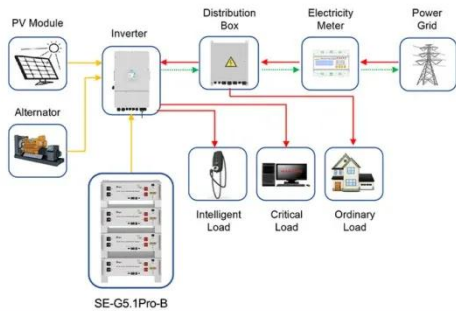
It has become a popular renewable source of energy due to the fact that the amount of solar energy absorbed by the earth is about 1.8×10^{11} MW, which is more than ...



TECHNICAL SPECIFICATIONS OF ON-GRID SOLAR PV ...

ON-GRID SOLAR PV POWER PLANTS
AGENCY FOR NEW AND RENEWABLE

ENERGY RESEARCH AND TECHNOLOGY
(ANERT) Department of Power,
Government of ...



Application scenarios of energy storage battery products

PV System Types and Components , AE 868: Commercial Solar ...

Over 4,000 solar panels have been installed, hundreds of battery inverters that convert the solar current into alternating current. They are the core of the installation and guarantee a secure, ...

Solar System Components , SpringerLink

This chapter describes the building blocks of a solar photovoltaic system in detail. The chapter begins with an overview of solar photovoltaic modules and the relevant ...



Components of a Solar Panel: Complete ...

Discover the 7 essential components of solar panels, how they work together,



and what to look for when choosing quality panels. ...

Classification of Solar Photovoltaic Power Generation System

Solar photovoltaic power generation system, as an important device that uses solar panels to convert solar energy into electrical energy, has various types to meet the application ...



Components of Solar Power Systems



Here's a full list of components of solar power system! Before you start the installation, you should make sure you have all the solar system parts.

What is the HS code of solar panels?

What is the HS code of solar panels? The HS code for solar panels is 8541.40, encompassing various types of solar

photovoltaic ...



Solar Photovoltaic (PV) System Components

Introduction
 PV Disconnect
 Charge Controller
 AC Disconnect Switch
 System Metering
 Conclusion

dr. edwArd A. frAnklin
 Solar photovoltaic (PV) energy systems are made up of diferent components. Each component has a specific role. The type of component in the system depends on the type of system and the purpose. For example, a simple PV-direct system is composed of a solar module or array (two or more modules wired together) and the load (energy-using device) it pow See more on extension.arizona solartechonline

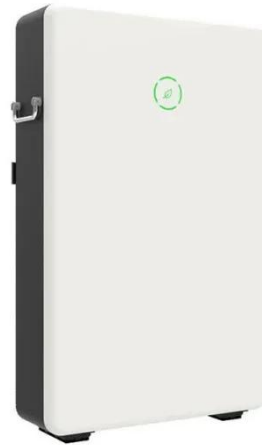
Components of a Solar Panel: Complete ...

Discover the 7 essential components of solar panels, how they work together, and what to look for when choosing quality panels. ...

A review on the classifications and

applications of solar ...

Our aim of this work is to present a review of solar photovoltaic (PV) systems and technologies. The principle of functioning of a PV system and its major components are first ...



Components of a Solar Panel: Complete Technical Guide

Discover the 7 essential components of solar panels, how they work together, and what to look for when choosing quality panels. Expert guide with testing data.

Different Types Of Solar Panels In India: Cost, ...

Explore 10 different types of solar panels in India, ranging from first-generation monocrystalline panels to the advanced types of solar ...



Classification and Introduction of Solar ...

Generally, we divide photovoltaic systems into independent systems, grid-

connected systems and hybrid systems.
According to the ...



Solar Power Plant: Diagram, Layout, Working ...

Hello readers! In this post, we'll discuss what is solar power plant? It's Diagram, Layout, Working, Advantages and More using ...



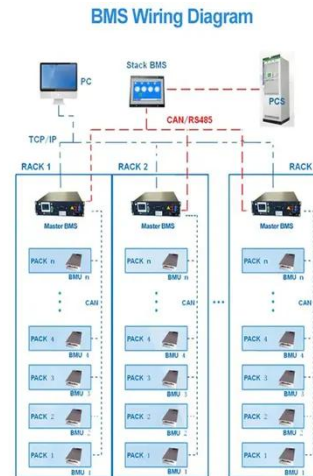
Solar Photovoltaic (PV) System Components

Introduction Solar photovoltaic (PV) energy systems are made up of different components. Each component has a specific role. The type of component in the system ...

Components of Solar Power Systems

Here's a full list of components of solar power system! Before you start the installation, you should make sure you

have all the solar system parts.



Solar Power Plant: Components, Types

A solar power plant runs smoothly when all components are working properly. An ideal solar power plant is safe, has minimal ...

Contact Us

For catalog requests, pricing, or partnerships, please contact:

BLINK SOLAR

Phone: +48-22-555-9876

Email: info@blinkartdesign.pl

Website: <https://www.blinkartdesign.pl>

Scan QR code to visit our website:

