

BLINK SOLAR

Solar panel inverter connected to the grid 70kw



Overview

These 70 kW size grid-connected solar kits include solar panels, DC-to-AC inverter, rack mounting system, hardware, cabling, permit plans and instructions. How does an on-grid solar inverter work?

The supply of energy can flow both from the grid to which the user's home is connected and from the user's home to the grid in this system. This characteristic makes the on-grid solar inverter both cost-effective and practical.

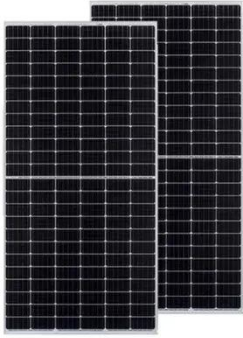
What is a 5kw off grid solar inverter?

A 5kw off grid solar inverter is a device that works with lithium battery or lead acid battery and provides uninterrupted power supply support for various fields like communication, industry equipment, military vehicles, and solar generating. This specific model is produced by the brand ELEC, which is a part of Sunerise Energy and focuses on R&D and production of off-grid inverters.

What is a sun-70k-g 70kW inverter?

This SUN-70K-G 70kW unit features 4-MPPT and allows for grid injection or zero export. This Deye inverter features a compact and innovative design, weighing only 60kg, making it easy to install. The equipment starts up quickly thanks to an intuitive interface via the LCD screen.

Solar panel inverter connected to the grid 70kw



A Guide to Solar Inverters: How They Work

Learn what a solar inverter is, how it works, how different types stack up, and how to choose which kind of inverter for your solar project.

INVT Solar XG 50-70kW Three-Phase On-Grid ...

XG50-70kW three-phase on-grid solar inverters have high power density and are equipped with one-stop intelligent data ...



Grid solar power plant Deye+LONGI (Inverter-70kW, Panels ...

The grid-connected solar power plant, consisting of a Deye inverter, Longi Solar solar panels and KBE solar cable, is an efficient and reliable solution for generating clean electricity.



Three-phase grid inverter Deye 70kW SUN-70K-G

This Deye three-phase grid inverter model, the SUN-70K-G, is ideal for residential installations connected to the electrical grid.



70 kW Solar Kits

These 70 kW size grid-connected solar kits include solar panels, DC-to-AC inverter, rack mounting system, hardware, cabling, permit plans and instructions. These are complete PV ...



Inverter, Solar Inverter

Stand-alone Inverter, Grid Tie Inverter or Grid Connected Inverter and Hybrid Inverter - converts DC output of solar panels or wind turbine into a clean AC current for AC appliances.



Solar inverter 70Kw Three-phase Grid injection with zero ...

Basic information of the grid injection inverter, zero discharge. 70000w 380v

Three Phase The GridFree inverter with limiter with an output of 70000W works with the input voltage range of ...



Deye On Grid Solar Inverter 70kW 80kW ...

The choice between high-capacity and low-capacity inverters ultimately depends on the scale of your solar project, energy needs, and grid ...



SPT Series 50-70kW On-Grid PV Inverter

SPT Series (50-70kW) is a high-efficiency, three-phase on-grid solar inverter range, built for large commercial and industrial PV ...



Solis Inverter Three-Phase 70 Kw Solar ...

S5-GC (50-70)K three-phase series string inverter are suitable for the installation

of three-phase input pv system of commercial ...



Rafal XG50-70kW Three Phase On-Grid Solar Inverter - ...

This document presents the structured product information, features, specifications, and image from the Rafal XG50-70kW Three Phase On-Grid Solar Inverter datasheet. Content is ...

Deye On Grid Solar Inverter 70kW 80kW 90kW 100kW 110kW

The choice between high-capacity and low-capacity inverters ultimately depends on the scale of your solar project, energy needs, and grid compatibility. Whether you are powering a massive ...



Section 3: Grid-connected solar explained , ...

Grid-connected systems have two main components, the solar panel array on the

roof, and a grid-interactive inverter, connecting into the ...



30KW

30KW to 70KW Three Phase Grid Tied Inverter Solar Wind Inverter Commercial Roofs Description: 30-70KW Three Phase, 3 MPPTs. ...



How to Connect Hybrid Inverter to Grid?

As more and more people shift to renewable energy sources, hybrid solar inverters have gained popularity as an effective means of ...

3 phase output 220/380 Volts with batteries ...

Tanfon Supply: Free site survey, design, production, installation, maintenance

with our sophisticated one-stop service. ...



30KW

30KW to 70KW Three Phase Grid Tied Inverter Solar Wind Inverter Commercial Roofs Description: 30-70KW Three Phase, 3 MPPTs. 400Vac/480Vac. Suitable for both commercial ...

What is an On Grid Solar Inverter? Definition, Components, ...

An on grid solar inverter is a key component in solar power systems that are connected to the main power grid. Its primary function is to convert the direct current (DC) ...



INVT Solar XG 50-70kW Three-Phase On-Grid Solar Inverter

XG50-70kW three-phase on-grid solar inverters have high power density and



are equipped with one-stop intelligent data management platform to provide flexible and efficient ...

SPT Series 50-70kW On-Grid PV Inverter

SPT Series (50-70kW) is a high-efficiency, three-phase on-grid solar inverter range, built for large commercial and industrial PV applications. Featuring multiple MPPT and ...



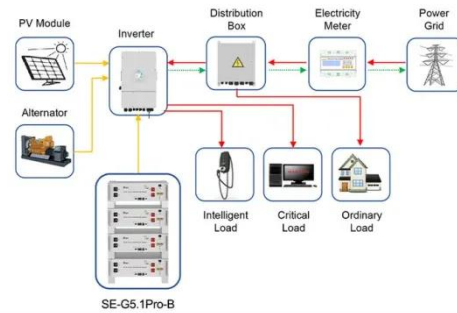
How to Connect Solar Panels to the Grid: A Step-by-Step Guide

Master how to connect solar panels to the grid with our step-by-step guide. Make your renewable energy journey ...

Solis Inverter Three-Phase 70 Kw Solar Inverter for on Grid Solar ...

S5-GC (50-70)K three-phase series string inverter are suitable for the installation

of three-phase input pv system of commercial and industrial PV plants. Adopt 5/6 MPPT ...



Application scenarios of energy storage battery products

70KW 70KVA Solar System Price Off Grid ...



70KW 70KVA Solar System Price Off Grid Solar Power Panel With Battery Storage Tanfon Supply: Free site survey, design, production, ...

70kW solar kit Peimar 400 XL, Fronius inverter

This high-power, low cost solar energy system generates 70,000 watts of grid-tied electricity with 175 commercial-grade XL-size mono perc modules, Fronius Primo inverters, 24/7 monitoring, ...



Contact Us

For catalog requests, pricing, or partnerships, please contact:

BLINK SOLAR

Phone: +48-22-555-9876

Email: info@blinkartdesign.pl

Website: <https://www.blinkartdesign.pl>

Scan QR code to visit our website:

