

## BLINK SOLAR

# Solar inverter power selection



## Overview

---

In this guide, we'll walk you through the fundamentals of solar inverters, explore different types such as micro inverters, hybrid inverters, and off-grid options, and provide practical tips to help you select the best solution for your home's unique needs. How to choose a solar inverter?

2. Matching Inverter Power The inverter's power rating should match the total power output of your solar panels. Choosing the appropriate power range helps ensure the system operates efficiently. In general, the inverter's power should be slightly higher than the maximum output of the solar panels to avoid overloading or underperformance.

What is a solar inverter?

Solar inverters are the heart of any solar energy system, converting the direct current (DC) electricity generated by solar panels into alternating current (AC) power for homes, businesses, or utility grids.

What are the different types of solar inverters?

For instance, a microinverter system can increase energy output by up to 25% in partially shaded areas. String inverters connect a series (or "string") of panels to a single inverter. These are the most common type used in residential and commercial solar systems.

Why do we need a solar inverter?

Without an inverter, the energy collected from the sun would be incompatible with the electrical systems that power our homes. Beyond simple energy conversion, solar inverters also help maintain the overall stability and efficiency of the system.

## Solar inverter power selection

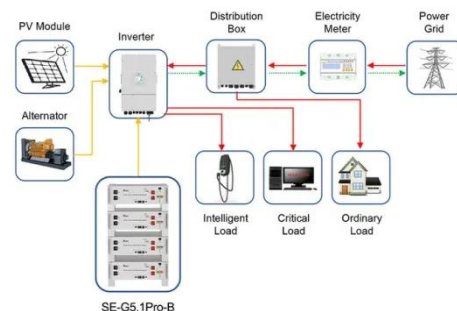


### How to Choose the Best Inverters for Photovoltaic Power ...

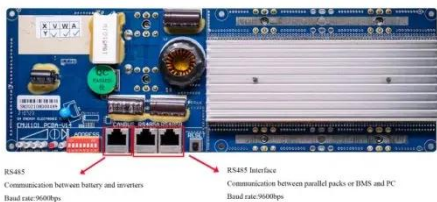
Discover the key methods for selecting the best inverters for photovoltaic power stations. Learn about inverter capacity, current compatibility, voltage matching, and essential ...

### Inverter selection parameters in a solar power plant

Inverter selection is a crucial aspect of solar power plant design, and a lot of considerations go into the decision-making process. A well-designed inverter can ensure ...



Application scenarios of energy storage battery products



### Solar Transformers: Sizing, Inverters, and E ...

Learn all about transformer sizing and design requirements for solar applications--inverters, harmonics, DC bias, overload, bi ...

## PV Inverters: Types, Differences & Selection Guide for Solar ...

Photovoltaic (PV) systems, or solar power systems, convert sunlight into electrical energy via solar cells in panels. These cells generate direct current (DC), which requires ...



## Solar Inverter Essentials: Types & Selection ...

Discover the vital role of a solar inverter in transforming solar energy into usable power for homes and businesses. Learn about the ...

## How to Select a Solar Inverter: A Comprehensive Guide to ...

Learn how to select a solar inverter with our expert guide, covering types, features, and key factors to ensure you choose the right inverter for your green energy needs.



## Inverter Basics and Selecting the Right Model

Selecting an Inverter - Solar and Backup  
How to select an inverter for a solar



system - covers sinewave, modified sine wave, grid tie, and backup ...

---

## How to Select a Solar Inverter

In a solar power generation system, the selection of a Solar Inverter is of crucial importance. The following are some key considerations: Determine the System Scale and ...



---

## Design and Operation Consideration for ...

Power output from PV Solar plant is inherently intermittent depending on available solar irradiance. Accordingly, load on solar ...

---

## How to Choose the Right Solar Inverter in 2025: A Complete ...

Solar inverters are the heart of any solar energy system, converting the direct

current (DC) electricity generated by solar panels into alternating current (AC) power for ...



---

## Top Solar Inverter Selection Strategies for Commercial Projects

C& I PV project scenarios vary significantly, from megawatt-scale ground-mounted power plants to thousand-square-meter rooftop systems. The choice of inverter type directly ...



---

## How to choose the right solar inverter

A Hybrid PV solar inverter can deliver power during either on-grid or off-grid conditions. The grid-connected systems have solar panels for utility ...



---

## How to Choose the Right Solar Inverter? 2025 Latest Buying ...

If you're planning to install a solar power system, selecting the right solar inverter



is crucial. This article provides you with the 2025 latest solar inverter buying guide to help you ...

### Solar inverters guide: How to decide what's right for you

Discover how solar energy inverters work, which types are available, and how to choose the right one for your system in this comprehensive resource from Enphase.



### Solar Water Pump Selection Guide

By continuously optimizing technology, reducing costs, and improving services, Home Power Inverter is confident that this system will ...

### How to Choose the Right Solar Inverter in ...

Solar inverters are the heart of any solar energy system, converting the direct

current (DC) electricity generated by solar panels ...



## How to Choose an Inverter

2. Match Power Requirements Rated Power: The inverter's power should  $\geq$  total load power (consider peak power). Example: Inductive loads (e.g., refrigerators, AC units) may have 3-5x ...

## How to Select a Solar Inverter: A Hands-on Buyer's Guide

Learn how to select a solar inverter for grid-tied, off-grid, or hybrid systems. This guide covers sizing, certifications, use cases, and recommended inverters like LZYESS hybrid ...



## Solar Power Inverters: How to Choose the Right Type for ...

A well-matched inverter not only maximizes the performance of your solar

panel system but also ensures long-term reliability and cost-effectiveness. In this guide, we'll walk ...



---

### **Solar inverters guide: How to decide what's ...**

Discover how solar energy inverters work, which types are available, and how to choose the right one for your system in this ...



---

### **How to Choose the Right Inverter for Your Solar Panel ...**

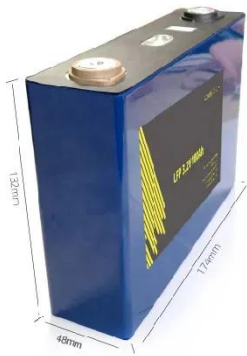
Discover how to select the ideal inverter for your solar panel system with this step-by-step guide.

---

### **How to Select a Solar Inverter**

In a solar power generation system, the selection of a Solar Inverter is of crucial importance. The following are some key

...



### **How to Select 3-Phase Solar Pump Inverter: A ...**

Dive into the essentials of selecting a 3-phase solar pump inverter with this guide, highlighting the different types, key applications, ...

### **How to Choose the Right Inverter for Your ...**

Discover how to select the ideal inverter for your solar panel system with this step-by-step guide.



## **Contact Us**

For catalog requests, pricing, or partnerships, please contact:

**BLINK SOLAR**

Phone: +48-22-555-9876

Email: [info@blinkartdesign.pl](mailto:info@blinkartdesign.pl)

Website: <https://www.blinkartdesign.pl>

*Scan QR code to visit our website:*

