

BLINK SOLAR

Solar glass factory project



Overview

What is solar glass manufacturing plant project report 2025?

IMARC Group's report, titled " Solar Glass Manufacturing Plant Project Report 2025: Industry Trends, Plant Setup, Machinery, Raw Materials, Investment Opportunities, Cost and Revenue, " provides a complete roadmap for setting up a solar glass manufacturing plant.

What is a solar glass factory?

Solar glass factories are backing the clean energy industry and are critical for the manufacturing of modules installed in utility-scale solar farms, rooftop systems, and building-integrated photovoltaics (BIPV).

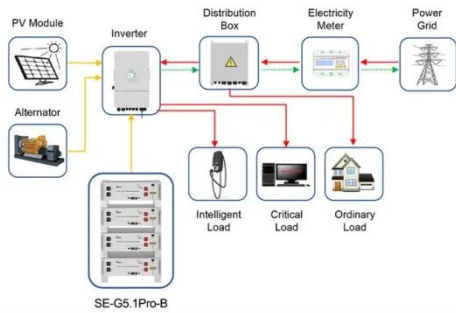
What is solar glass manufacturing plant?

Solar glass manufacturing plant is a facility specifically for making specialized low-iron, high-transmittance glass for use in photovoltaic (PV) modules. It entails raw material melting, float or rolled glass forming, annealing, cutting, tempering, and surface treatments like anti-reflective or self-cleaning coatings.

What is a solar glass manufacturing project report?

The solar glass manufacturing project report provides detailed insights into project economics, including capital investments, project funding, operating expenses, income and expenditure projections, fixed costs vs. variable costs, direct and indirect costs, expected ROI and net present value (NPV), profit and loss account, financial analysis, etc.

Solar glass factory project



Application scenarios of energy storage battery products

China's Almaden Plans New Solar Glass Factory in Abu Dhabi

Changzhou Almaden, a solar glass manufacturer based in China, has announced plans to build a new production facility in the United Arab Emirates. The factory will be located ...

China's Almaden Plans 500,000 Ton Solar Glass Plant In UAE

China's anti-reflective solar glass producer Changzhou Almaden has announced plans to establish a 500,000-ton solar glass manufacturing facility in the UAE with a \$240.23 ...



Support for the Chinese Megaproject: Solar Glass

Support for the Chinese Megaproject: Solar Glass Production with Grenzebach Pattern Glass Lines 19.07.2021 - Environmental protection: With support of Grenzebach, pattern glass ...

Almaden Plans Solar Glass Factory in UAE

Almaden, a leading solar glass manufacturer based in Changzhou, Jiangsu province, has announced plans to construct a solar glass production facility in the United Arab ...



Solar glass maker Changzhou Almaden plans USD-240m UAE factory

The company, the world's largest producer of anti-reflective coated (ARC) glass and tempered glass, will implement the project through a new UAE-based subsidiary called ...

Almaden plans solar glass factory in UAE

China's Almaden says it will build a solar glass plant in the United Arab Emirates with an annual capacity of 500,000 tons, in line with its plans to globally expand as domestic ...



Changzhou Almaden Invests \$240M in UAE Solar Glass Factory



The factory, to be located at Khalifa Industrial Zone Abu Dhabi (KIZAD), will be operated by a new subsidiary, Almaden Glass Industries Ltd. The project has board approval ...

Solar Glass Manufacturing Plant Setup Report 2025 Industry ...

Solar Glass Manufacturing Plant Setup Report 2025 Industry Trends, Cost And Economics Details. Solar glass is a specially designed glass used in photovoltaic applications ...

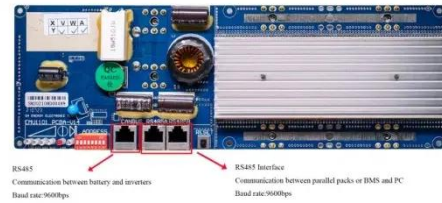


Huge PV Glass Project Goes Live in China, Paving the Way ...

It features 20 base plate production lines and 16 solar panel and backsheet production lines, utilising world-leading ultra-thin photovoltaic calendaring technology and ...

Solar Glass Manufacturing Plant Report: Setup & Cost

IMARC Group's report on solar glass manufacturing plant project provides detailed insights into business plan, setup layout, cost, machinery & requirements.



Contact Us

For catalog requests, pricing, or partnerships, please contact:

BLINK SOLAR

Phone: +48-22-555-9876

Email: info@blinkartdesign.pl

Website: <https://www.blinkartdesign.pl>

Scan QR code to visit our website:

