

BLINK SOLAR

Solar energy storage 80kw inverter



Overview

What is Deye 80kW inverter?

Deye 80kw inverter is a powerful and efficient solution for solar energy conversion. With a capacity of 80kW, it ensures seamless integration with the grid, allowing for reliable and sustainable power generation. Its advanced features and robust design make it ideal for commercial and industrial applications.

What is the capacity of a solar inverter?

With a capacity of 80kW, it ensures seamless integration with the grid, allowing for reliable and sustainable power generation. Its advanced features and robust design make it ideal for commercial and industrial applications. Harness the sun's energy with this reliable inverter and enjoy clean and renewable electricity.

What is sun-80k-sg02hp3-eu-em4 inverter?

SUN-80K-SG02HP3-EU-EM4 inverter combines high efficiency, advanced MPPT technology, integrated energy management, intelligent grid management, and reliability. It is an excellent choice for maximizing energy generation, optimizing system performance, and ensuring a smooth and efficient operation of solar power systems. Max. Charging Current (A).

What type of inverter does mile solar offer?

MILE SOLAR provides 10KW - 200KW three phase inverters for your needs. Efficiency: Look for an inverter with high efficiency to maximize the utilization of your energy storage. Higher efficiency means less energy loss during the conversion process, resulting in better overall system performance and reduced operating costs.

Solar energy storage 80kw inverter



Deye 80KW Energy Storage Hybrid Inverter SUN-80K ...

Deye 80KW Energy Storage Hybrid Inverter SUN-80K-SG02HP3-EU-EM4
Deye 80kw inverter is a powerful and efficient solution for solar energy conversion. With a capacity of 80kW, it ...

Complete Commercial Solar Energy Storage System 80kW ...

Complete Commercial Solar Energy Storage System 80kW Three-Phase Hybrid Inverter and All-in-One Lithium Battery Storage Cabinet

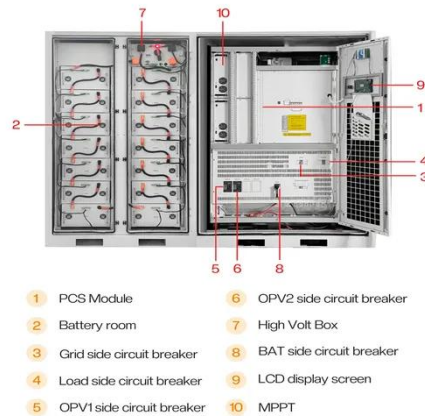


Solis 80-125kW C& I High Voltage Energy ...

Introducing the S6-EH3P (80-125)K10-NV-YD-H Series. High voltage, three-phase energy storage for commercial applications. The inverter series, ...

Solis 80-125kW C& I High Voltage Energy Storage Inverter

Introducing the S6-EH3P (80-125)K10-NV-YD-H Series. High voltage, three-phase energy storage for commercial applications. The inverter series, which boasts a maximum charge/discharge ...



Deye 80KW Hybrid Storage Solar Inverter

Engineered for robust performance, DEYE 60/75/80KW Hybrid Inverter delivers 98.3% efficiency and supports high-voltage batteries for lower installation costs. With seamless parallel ...

80KW 100KW 120KW 150KW 200KW 3 phase power inverter for solar power

80KW 100KW 120KW 150KW 200KW 3 phase power inverter for off-grid solar power storage system MILE SOLAR's state-of-the-art three-phase power inverter is specifically designed to ...



80kW Hybrid Inverter for Commercial and Industrial Solar Energy Storage

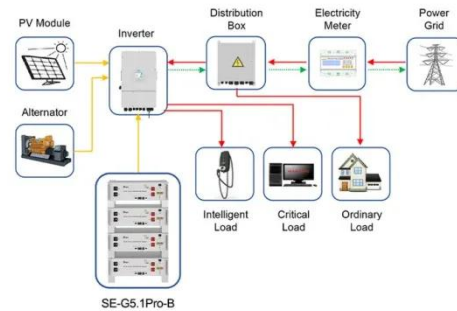
The 80kW Hybrid Inverter is designed for

large-scale solar energy systems, industrial facilities, and commercial buildings that require both efficiency and stability.



Lersion High-Efficiency 80kw Solar Inverter with 107kwh Battery Storage

Lersion High-Efficiency 80kw Solar Inverter with 107kwh Battery Storage, Find Details and Price about Solar Inverter Hybrid Solar Inverter from Lersion High-Efficiency 80kw ...



Application scenarios of energy storage battery products



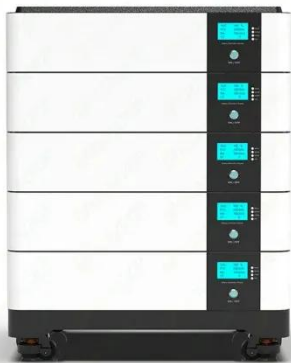
SUN-60/70/75/80K-SG02HP3-EU-EM6 Inverter Company, ...

Hybrid Inverter String Inverter Off-Grid Inverter Microinverter Micro Hybrid Inverter Energy Storage System Solar Air Conditioner Accessory & Monitoring EV Charger

Solis 80KW Three Phase HV Hybrid Inverter

High voltage, three-phase energy storage for commercial applications. The

inverter series, which boasts a maximum charge/discharge current of 100A+100A across two independently ...



80KW 100KW 120KW 150KW 200KW 3 phase ...

80KW 100KW 120KW 150KW 200KW 3 phase power inverter for off-grid solar power storage system MILE SOLAR's state-of-the-art three-phase ...

SUN-60/70/75/80K-SG02HP3-EU-EM6 ...

Hybrid Inverter String Inverter Off-Grid Inverter Microinverter Micro Hybrid ...



80kW Energy Storage Inverters: Deye SUN-80K vs. Ginlong ...

In the 80kW energy storage inverter market, Deye's SUN-80K and Ginlong's



S6-EH3P-80K stand out as mainstream grid-tied/off-grid all-in-one models. While they share no ...

Contact Us

For catalog requests, pricing, or partnerships, please contact:

BLINK SOLAR

Phone: +48-22-555-9876

Email: info@blinkartdesign.pl

Website: <https://www.blinkartdesign.pl>

Scan QR code to visit our website:

