

BLINK SOLAR

Solar container communication station inverter grid-connected equipment power supply engineering



✓ LIQUID/AIR COOLING

✓ PROTECTION IP54/IP55

✓ PCS EMS

✓ BATTERY /6000 CYCLES



Overview

What are grid-interactive solar PV inverters?

Grid-interactive solar PV inverters must satisfy the technical requirements of PV energy penetration posed by various country's rules and guidelines. Grid-connected PV systems enable consumers to contribute unused or excess electricity to the utility grid while using less power from the grid.

What is a boxpower solarcontainer?

BoxPower's flagship SolarContainer is a fully integrated microgrid-in-a-box that combines solar PV, battery storage, and intelligent inverters, with optional backup generation. Designed for reliability and ease of deployment, the SolarContainer is ideal for powering critical infrastructure, remote facilities, and commercial operations.

What is a grid-connected PV system?

Grid-connected PV systems enable consumers to contribute unused or excess electricity to the utility grid while using less power from the grid. The application of the system will determine the system's configuration and size. Residential grid-connected PV systems are typically rated at less than 20 kW.

Should PV inverters be integrated with other embedded energy systems?

When used as a component of "smart" systems, PV inverters should be adaptably integrated with other embedded energy systems, such as batteries, wind turbines, and electric vehicles, where the need for communication may raise the overall cost and necessitate the use of low-cost communication technologies.

Solar container communication station inverter grid-connected equipment

Hybrid Microgrid Technology Platform



The BoxPower MiniBox is a pre-engineered solar power station, prefabricated inside a 4' x 8' palletized enclosure. All energy ...

Can I run power to a shipping container? Off ...

A solar-powered container can run lighting, sound systems, medical equipment or communications gear without waiting for grid ...



Integrating Solar Power Containers into Modern Energy ...

Nominal Capacity

280Ah

Nominal Energy

50kW/100kWh

IP Grade

IP54



The container integrates all necessary components for off-grid or grid-tied solar power generation, including solar panels, inverters, charge controllers, battery storage ...

MV-inverter station: centerpiece of the PV eBoP solution

MV-inverter station: centerpiece of the PV eBoP solution Practical as well as time- and cost-saving: The MV-inverter station is a convenient "plug-and-play" solution offering high power ...

12V 10AH



Warranty
10 years

LiFePO₄

Intelligent BMS

Wide Temp:
-20°C to 55°C



Hybrid Microgrid Technology Platform , BoxPower

The BoxPower MiniBox is a pre-engineered solar power station, prefabricated inside a 4? x 8? palletized enclosure. All energy systems are equipped with a solar array, batteries, ...

Shipping Container Solar Systems in Remote Locations: An ...

Shipping container solar systems are transforming the way remote projects are powered. These innovative setups offer a sustainable, cost-effective solution for locations ...



COMMUNICATION BASE STATION GRID CONNECTED SOLAR POWER

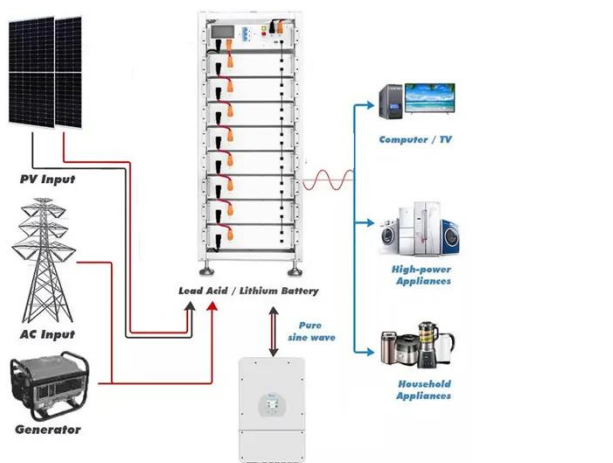
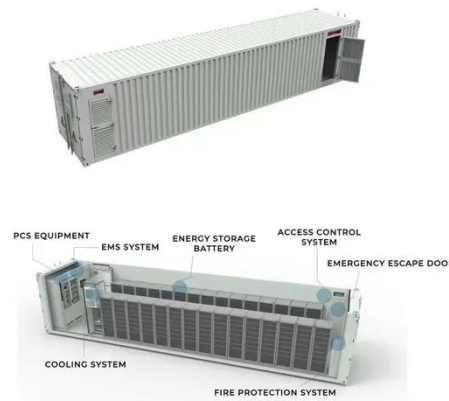
Why does the inverter of the communication base station need



cooling when connected to the grid
Unattended base stations require an intelligent cooling system because of the strain they are ...

Integrated Solar-Wind Power Container for Communications

This large-capacity, modular outdoor base station seamlessly integrates photovoltaic, wind power, and energy storage to provide a stable DC48V power supply and optical distribution. Perfect ...



A comprehensive review of grid-connected solar ...

The various control techniques of multi-functional grid-connected solar PV inverters are reviewed comprehensively. The installed capacity of solar photovoltaic (PV) based ...

Can I run power to a shipping container? Off-Grid Solar ...

A solar-powered container can run lighting, sound systems, medical

equipment or communications gear without waiting for grid hookups. Off-grid living and clinics: Even homes ...

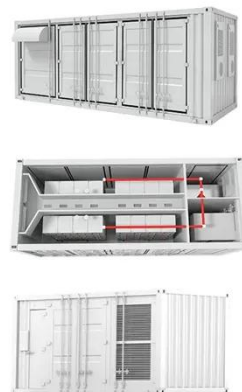


Off-grid container power systems

We are offering mini renewable power stations in a Off-Grid shipping Container ready to be deployed worldwide. These include solar PV panels and mountings.

Photovoltaic Container

The integrated containerized photovoltaic inverter station centralizes the key equipment required for grid-connected solar power systems -- including AC/DC distribution, inverters, monitoring, ...



Shipping Container Solar Systems in Remote ...

Shipping container solar systems are transforming the way remote projects

are powered. These innovative setups offer a ...



Contact Us

For catalog requests, pricing, or partnerships, please contact:

BLINK SOLAR

Phone: +48-22-555-9876

Email: info@blinkartdesign.pl

Website: <https://www.blinkartdesign.pl>

Scan QR code to visit our website:

