

BLINK SOLAR

Solar Panel Battery Inverter



Overview

What is a solar inverter?

It is an inverter that offers very good solutions for decentralized solar plants with a complicated topology (e.g. “terraced” PV plants, mountain plants.); floating PV plants or agrivoltaic PV plants. They offer a high energy yield (over 98%) and are ideal for medium to large-scale plants.

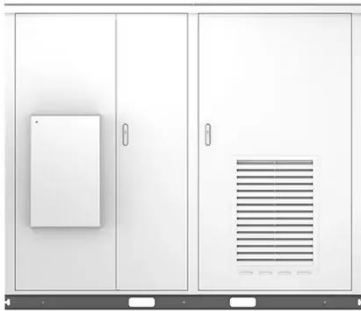
What is the difference between a solar inverter and a battery?

Solar inverters are used with solar panel power systems to convert DC power to AC power and store solar charge. They have a thicker positive grid spine. A normal battery, on the other hand, has a thinner grid spine. Grid spines are basically a part of the electrodes present in the batteries.

Do solar panels need a hybrid inverter?

A solar panel setup with a conventional inverter requires a separate inverter to transform AC to DC, back and forth. Some people give hybrid inverter a shot to understand their battery requirements for the future.

Solar Panel Battery Inverter



Best Solar Panel With Inverter Kit And Battery ...

A "solar panel with inverter kit with battery" is a fully integrated photovoltaic power generation and storage system combining solar ...

How to Install Solar Panel with Battery and Inverter: A Step ...

Discover how to install solar panels with a battery and inverter to cut your energy bills and embrace sustainability. This comprehensive guide covers everything from assessing ...



How to Connect Solar Panel to Battery and Inverter?

An inverter is useful in converting the battery power from solar panels while a charge controller protects the batteries and panel from overheating. In this article, we will look ...



How to Choose the Best Solar Battery and Inverter for Your ...

...

Learn what to look for in a solar battery and inverter system, including key specs, types, pricing, and top buying tips for reliable off-grid or backup power.



Best Solar Inverters For Battery Storage [Updated: December ...

Before testing this, I never realized how much a subpar inverter could limit my solar setup--cranking out inconsistent power or just wasting energy. The ECO-WORTHY ...

Best Solar Panel Battery Inverters for Reliable Off-Grid Power

Finding the best solar panel battery inverter is crucial for anyone looking to harness solar energy efficiently, especially for RVs, outdoor activities, or home backup systems. This ...



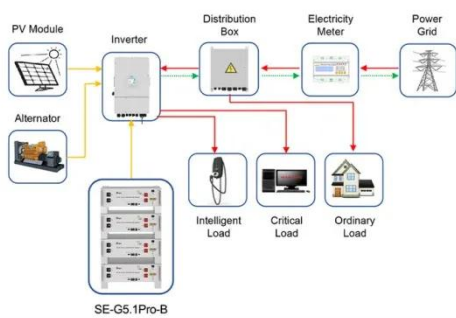
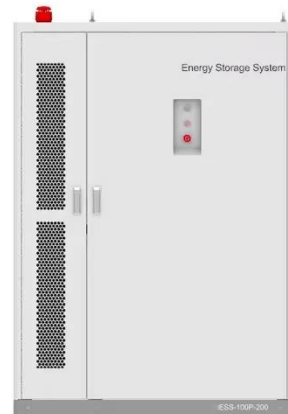
The ultimate guide to solar inverter and battery integration



Discover the ultimate guide to solar inverter and battery integration, optimizing energy efficiency and maximizing your solar power system's performance.

How to connect solar panels to inverter and battery in 3 steps

This guide explains how to connect solar panels to an inverter safely and effectively. We'll also discuss factors like inverter capacity to help you determine how many ...



Application scenarios of energy storage battery products

Best Solar Panel With Inverter Kit And Battery , OEM/ODM Solar ...

A "solar panel with inverter kit with battery" is a fully integrated photovoltaic power generation and storage system combining solar panels, an inverter, and a battery pack.

Battery Integration Guide for Solar Panels, Inverters, and ...

Featuring Himax Custom Battery

Solutions for Wholesale Buyers Building a reliable solar energy system that seamlessly ties together solar panels, battery storage, and ...



How to connect solar panels to inverter and ...

This guide explains how to connect solar panels to an inverter safely and effectively. We'll also discuss factors like inverter capacity to ...

Contact Us

For catalog requests, pricing, or partnerships, please contact:

BLINK SOLAR

Phone: +48-22-555-9876

Email: info@blinkartdesign.pl

Website: <https://www.blinkartdesign.pl>

Scan QR code to visit our website:

