

**BLINK SOLAR**

# Senegal Off-Grid Solar Container Three-Phase



## Overview

---

Which solar companies operate in Senegal?

3.2%. Attracted by the stable political environment, several notable local and international solar PV companies like Oolu Solar and Baobab+ operate in Senegal, using cash sales, pay-as-you-go (PAYGo), and partnerships with micro-finance institutions.

What is the electricity access rate in Senegal?

lition. The public version of the resulting report of the effort is availab  
StatusThe electricity access rate in Senegal is among the highest in Sub-Saharan Africa with a national access rate of 70%. There is however a great disparity between urban areas where 95% of households have electricity, and rural areas where the access rate is jus.

What is aress Solar D Togo?

d Togo. Under the brand name 'Aress', they distribute solar home systems for household electrification in rural areas, as well as large-scale off-grid solar systems capable of powering peri-urban households, small and medium-sized enterprises (SMEs), and commercial and industrial custom

## Senegal Off-Grid Solar Container Three-Phase

---

### Lithium Solar Generator: \$150



### Senegal

The establishment of the National Off-Grid Consultation Framework created by the Ministry of Energy<sup>31</sup> provides many opportunities for off-grid sector development in Senegal, ...

### Senegal's Containerized PV EV Charging Stations: Solar ...

Each container is equipped with 18 pieces of 465W TOPCon bifacial PV modules, a 10kW off-grid inverter, three 10kWh lithium batteries, and an EV charging station-- collectively ...

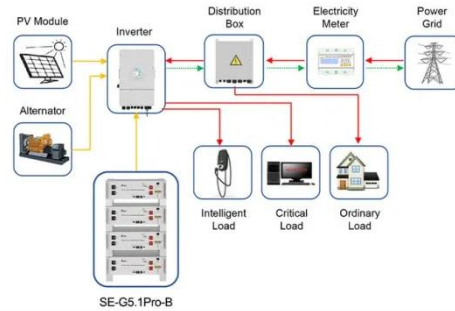


### Off Grid Africa Senegal Solar Energy Solution-Zamdon

Looking for reliable off grid Africa Senegal solar energy solution? Zamdon has got you covered! With our expertise in solar energy, we provide innovative and sustainable ...

## Mobile Solar Power Containers: Off-Grid Energy Anywhere

Mobile solar containers enable total off-grid operation, providing power in locations with no utility grid or where grid access is unreliable. This is essential for rural development ...



Application scenarios of energy storage battery products

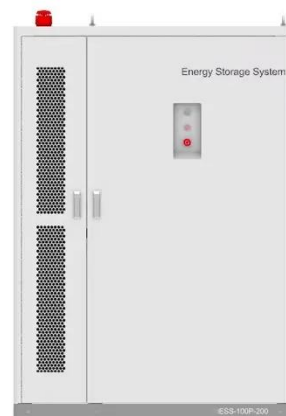


## Off-Grid Energy Storage in Dakar Current Status and Future ...

SunContainer Innovations - Discover how Dakar is embracing renewable energy solutions through off-grid storage systems. This article explores the current number of power stations, market ...

## Senegal's Containerized PV EV Charging Stations: Solar ...

The front and rear sections were then converted into movable doors, which unfold flush with the roof via retractable brackets. Each container is equipped with 18 pieces of 465W ...



## XI JINPING SENEGAL AND CHINA'S WEST AFRICA DRIVE

The global solar storage container market is experiencing explosive growth,

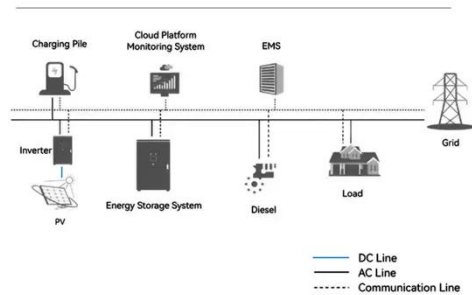
with demand increasing by over 200% in the past two years. Pre-fabricated containerized solutions now ...



## Senegal solar power plant off grid

The project estimates that more than 400 jobs in the towns benefit from the existence of the new solar power plants in Senegal. Because Senegal mainly relies on ...

### System Topology



12V 10AH



## Stand Alone Solar (SAS)

The World Bank and ECREEE 2019 Regional Off-Grid Electrification Project: Off-Grid Solar Market Assessment & Private Sector Support Facility Design - Senegal Report is a ...

## Senegal solar inverter equipment container

Each container is equipped with 18 pieces of 465W TOPCon bifacial PV

modules, a 10kW off-grid inverter, three 10kWh lithium batteries, and an EV charging station-- collectively generating

...



---

## Contact Us

For catalog requests, pricing, or partnerships, please contact:

### **BLINK SOLAR**

Phone: +48-22-555-9876

Email: [info@blinkartdesign.pl](mailto:info@blinkartdesign.pl)

Website: <https://www.blinkartdesign.pl>

*Scan QR code to visit our website:*

