

BLINK SOLAR

Semi-hidden solar curtain wall



2MW / 5MWh
Customizable



Overview

What is a photovoltaic curtain wall?

They enhance thermal comfort and help prevent the greenhouse effect. A standard curtain wall offers no return on investment. In contrast, a photovoltaic curtain wall not only insulates the building but also generates power for over 30 years. This reduces monthly electricity bills and ultimately pays for itself over time.

Does Photovoltaic Glass fit in a curtain wall?

No, the BIPV photovoltaic glass structurally does not differ from other types of conventional glazing. Therefore, it is integrated into the building envelope (curtain wall, façade, or skylight) like any construction material. What solar control and comfort advantages does photovoltaic glass offer in a curtain wall?

.

What is a PV curtain wall?

The PV curtain wall usually consists of a sheet of laminated glass embedded with solar cells, a cavity filled with air or argon, and a piece of glass substrate

.

Do semi-transparent photovoltaic curtain walls improve thermal performance?

Semi-transparent photovoltaic (STPV) curtain walls play a crucial role in building decarbonization. Nonetheless, Previous studies mainly concentrated on improving the electrical, daylighting and thermal performance of STPV curtain walls separately, ignoring the interdependencies among these performance factors.

Semi-hidden solar curtain wall



Why Aluminum Facade Glass Curtain Walls Are Ideal for ...

In 2025, a semi-hidden aluminum glass curtain wall costs \$300 to \$700 per square meter. Labor and equipment for tall buildings add \$50 to \$150 per square meter.

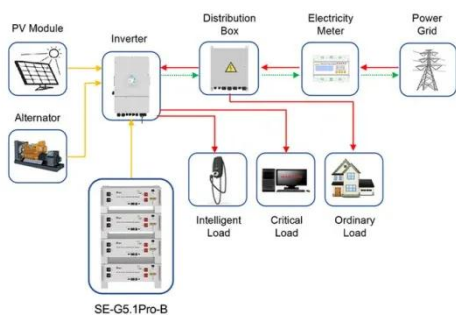
Visual and energy optimization of semi-transparent ...

A multi-dimensional evaluation of the semi-transparent photovoltaic glass curtain wall and the LOW-E glass curtain wall is conducted. The study analyzes the advantages of ...



An experimental study on the performance of new glass curtain wall

Abstract A new type of glass curtain wall system based on transmission solar concentrator is proposed. The device effectively improves the incidence of solar radiation on ...



Application scenarios of energy storage battery products

Solar Curtain Wall with Integrated Photovoltaic Technology ...

With more than 20 years of industry experience, our company provides high-performance curtain wall systems including unitized, stick, semi-unitized, and customized ...



BIPV building integrated solar panel curtain wall design case

Those 12,000 solar panels integrated into its curtain walls aren't hidden tech; they're the school's identity. Students touch their building's power production daily through ...

Partitioned optimal design of semi-transparent PV curtain wall...

The utilization of semi-transparent PV modules provides the benefit of low solar heat gain coefficient (SHGC) as a key characteristic of window products.



Explore different types of the glass curtain ...

The frame glass curtain wall has an exposed frame, hidden frame type from

external form, and unitized, stick-type
from installing ...



Curtain Wall

Typically, a curtain wall is an assembly of vision glazing units (transparent), insulated spandrel units (opaque), and connecting metal frames or joints; thus, technically referred to as a curtain ...



Semi-hidden frame glass curtain wall - ...

If applicable, discuss how the semi-hidden frame glass curtain wall system integrates seamlessly with other building systems to enhance overall ...

What is the principle of solar curtain wall

Incorporating solar curtain walls can thus enhance the overall appeal and

longevity of a building, offering both financial and ...



Glass Curtain Wall Technology and ...



Abstract Glass curtain wall provides an attractive building envelope, but it is generally regarded as unsustainable because of the ...

Semi-Hidden Frame Curtain Wall SMG

The semi-hidden frame curtain wall has excellent sealing and heat insulation performance, is easy to install and has a beautiful appearance.



How does a Semi-Hidden Frame Curtain Wall save you money?

A Semi-Hidden Frame Curtain Wall is a savvy choice for saving money, as it

12.8V 200Ah



cleverly reduces construction costs while boosting energy efficiency. Its innovative design ...

Curtain Walls & Spandrels

Both curtain walls and spandrels from Onyx Solar elevate your building's sustainability and aesthetic appeal, providing customizable options and cutting-edge design. Explore how ...



Experimental and simulation study on the thermoelectric ...

Furthermore, when the working temperature of PV cells reaches to a certain level, it slightly deviates the electricity generation trend from the real-time solar radiation trend. Under ...

Fracture behavior of framing coated glass curtain walls ...

Breaking glass and its subsequent fallout may markedly affect enclosure fire

dynamics. However, little is known about the thermal fracture behavior of framing glass ...



Semi-transparent perovskite building-integrated photovoltaic curtain

A semi-transparent perovskite solar cell (ST-PSC) with high infrared transmittance and PEAL surface passivation is developed for building-integrated photovoltaic (BIPV) fenestration ...

Curtain Wall and Glazed Assemblies CAD ...

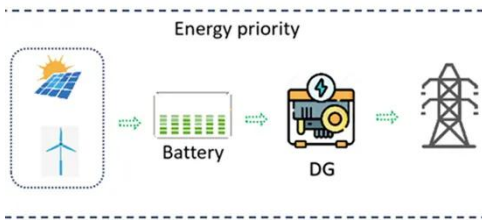
Summary: The CSI section 084400 pertains to Curtain Wall and Glazed Assemblies, which are essential components in modern architectural ...



Switchable Building-Integrated ...

This study presents a novel switchable multi-inlet Building integrated

photovoltaic/thermal (BIPV/T) curtain wall system designed to ...



Switchable Building-Integrated Photovoltaic-Thermal Curtain Wall

...

This study presents a novel switchable multi-inlet Building integrated photovoltaic/thermal (BIPV/T) curtain wall system designed to enhance solar energy utilization ...



Partitioned optimal design of semi-transparent PV curtain wall...

The PV curtain wall usually consists of a sheet of laminated glass embedded with solar cells, a cavity filled with air or argon, and a piece of glass substrate [8]. Traditional PV ...

What is the principle of solar curtain wall , NenPower

Incorporating solar curtain walls can thus enhance the overall appeal and

longevity of a building, offering both financial and environmental dividends.
WHAT ARE THE ...



Contact Us

For catalog requests, pricing, or partnerships, please contact:

BLINK SOLAR

Phone: +48-22-555-9876

Email: info@blinkartdesign.pl

Website: <https://www.blinkartdesign.pl>

Scan QR code to visit our website:

