

BLINK SOLAR

Riyadh Industrial and Commercial Energy Storage Project



Overview

How much is Saudi Arabia's energy storage system project worth?

The engineering, procurement and construction (EPC) contracts for the three energy storage system projects recently awarded in Saudi Arabia are estimated to be worth over \$800m.

How big is BYD energy storage & Saudi Electricity Company?

Recently, BYD Energy Storage and Saudi Electricity Company successfully signed the world's largest grid-scale energy storage projects contracts with a capacity of 12.5GWh at the time. Combined with the previously delivered 2.6GWh project, the total cooperation now has amounted to a massive 15.1GWh of projects.

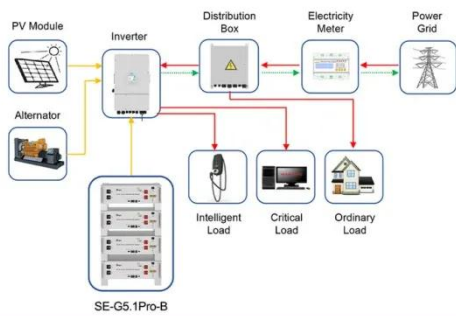
Why is Saudi Arabia launching a battery storage project?

Saudi Arabia aims to generate 50% of its electricity from renewables by 2030. However, renewable energy sources like solar and wind can be unpredictable. The 12.5 GWh battery storage project will solve this issue by storing energy and ensuring a steady power supply. This is very important in Saudi Arabia.

Is Saudi Arabia a leader in energy storage?

To date, Saudi Arabia has achieved significant milestones in the energy storage sector. With the official launch and operation of the Bisha Energy Storage Project, Saudi Arabia has successfully entered the ranks of the top ten global energy storage markets.

Riyadh Industrial and Commercial Energy Storage Project



Application scenarios of energy storage battery products

SEC and BYD Energy Storage Signs World's Largest Energy Storage

Combined with the previously delivered 2.6GWh project, the total cooperation now has amounted to a massive 15.1GWh of projects. This signing marks a solid and crucial step ...

BYD Energy Storage Signed World's Largest Grid-scale Battery Storage

Recently, BYD Energy Storage and Saudi Electricity Company successfully signed the world's largest grid-scale energy storage projects contracts with a capacity of 12.5GWh at ...



How BYD & SEC are Delivering Energy Storage for Vision 2030

BYD Energy Storage has signed a contract with Saudi Electricity Company (SEC) to deliver 12.5GWh of grid-scale energy storage capacity, creating a combined 15.1GWh ...

Riyadh Wind, Solar and Storage Project: Powering Saudi Arabia...

Summary: Discover how the Riyadh Wind, Solar and Storage Project is revolutionizing renewable energy adoption in Saudi Arabia. Learn about its technical innovations, economic benefits, and ...

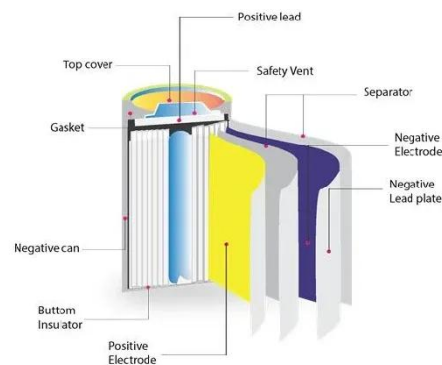


BYD & SEC: World's Largest Grid-Scale Energy Storage Project

BYD Energy Storage and Saudi Electricity Company (SEC) have signed a contract to deliver the world's largest grid-scale energy storage project totalling 12.5GWh. This ...

Riyadh Energy Storage Project Tender Announcement: What ...

Why the Riyadh Energy Storage Project Is a Game-Changer Hold onto your solar panels, folks--Saudi Arabia just dropped a bombshell in the energy world! The Riyadh Energy ...



Saudi 7.8GWh energy storage



contract worth over \$800m

The engineering, procurement and construction (EPC) contracts for the three energy storage system projects recently awarded in Saudi Arabia are estimated to be worth ...

BYD and Saudi Arabia Tandem for World's Largest Battery Energy Storage

Saudi Arabia is making history with the world's largest grid-scale battery energy storage project. BYD Energy Storage has signed a 12.5 GWh contract with the Saudi ...



Saudi Arabia's Historic Energy Storage Project , Daleel News

The Saudi Electricity Company (SEC) has partnered with China's BYD Energy Storage to construct the world's largest grid-scale energy storage project in Saudi Arabia. BYD ...

Saudi Arabia Launches Construction of 2.5GW Grid-Scale Energy Storage

The launch of this 2.5GW grid-scale energy storage project is a significant step in Saudi Arabia's energy storage development blueprint. It not only provides strong momentum ...



Contact Us

For catalog requests, pricing, or partnerships, please contact:

BLINK SOLAR

Phone: +48-22-555-9876

Email: info@blinkartdesign.pl

Website: <https://www.blinkartdesign.pl>

Scan QR code to visit our website:

