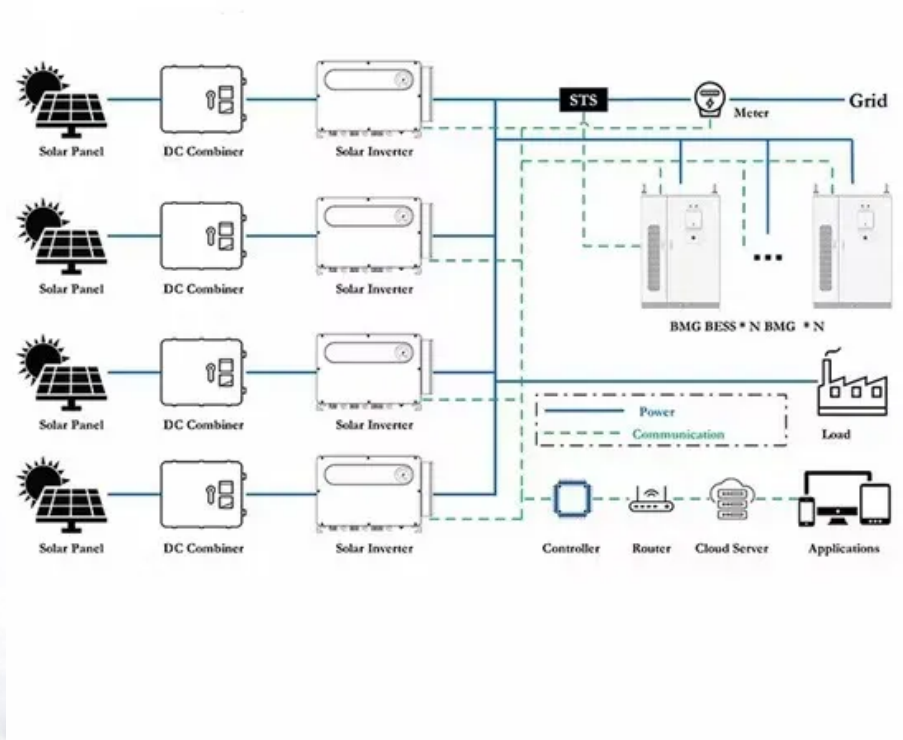


BLINK SOLAR

Price per unit of 150-foot photovoltaic folding container for mining



Overview

What is a solar PV container?

The Solar PV container is a mobile, plug-and-play solar energy solution. It's designed to be foldable, integrated for fast deployment anywhere. Just lay the track, pull it gently, and the solar panels will be deployed. Start working efficiently, keeping up continuous conversion of solar energy to electricity.

What is Huijue's folding solar PV container?

Huijue Group newly launched a folding photovoltaic container, the latest containerized solar power product, with dozens of folding solar panels, aimed at solar power generation, with a capacity for mobility to provide green energy all over the world. The Solar PV container is a mobile, plug-and-play solar energy solution.

What is a folding solar photovoltaic container?

The folding solar photovoltaic container developed by the Huijue Group represents a pioneering, flexible, and effective solution in energy provision. Besides meeting the demand of energy in different scenarios, this container will enable optimized utilization of resources by introducing module design and a powerful electricity generation system.

How many PV modules are in a solar container?

The innovative and mobile solar container contains 196 PV modules with a maximum nominal power rating of 130kWp, and can be extended with suitable energy storage systems. The lightweight, ecologically-friendly aluminium rail system guarantees a mobile solution with rapid availability. at full power.

Price per unit of 150-foot photovoltaic folding container for mining



solarfold , Mobile Solar Container

The solarfold Photovoltaic Container is mobile for universal deployment with a light and versatile substructure. The semi-automatic electric drive unit manoeuvres the mobile photovoltaic ...

Modular Solar Power Station Container Factory

Founded in 2016, Senta Energy Co., Ltd., located in Wuxi, Jiangsu, is a high-tech enterprise mainly engaged in new energy photovoltaic power generation and energy storage business, ...



Solar Container Price And A Balance Between Configuration And Cost

Below is an exploration of solar container price ranges, showing how configuration choices capacity, battery size, folding mechanism, and smart controls drive costs.



Container Photovoltaic Power System Market

The average carrying cost for a 40-foot solar container exceeds \$3,800/month compared to \$850 for standard solar components. Logistical bottlenecks emerge from competing industries using

...



Solar Energy Storage Container Prices in 2025: Costs, ...

Explore market trends, pricing, and applications for solar energy storage containers through 2025. Learn about key cost drivers, technological advancements, and practical uses in ...

Folding photovoltaic containers: Flexible and mobile solar ...

The greatest merit of folding photovoltaic panel containers is their high degree of mobility, avoiding the large occupation of land by traditional solar power generation systems. ...



Mobile Solar PV Container , Portable Solar Power Solutions



The HJ Mobile Solar Container comprises a wide range of portable containerized solar power systems with highly efficient folding solar modules, advanced lithium battery storage, and ...

Solarcontainer: The mobile solar system

Mounted on this frame is the innovative PV rail system and the clever folding mechanism of the solar panels, which enable the transport dimensions and lifting points of a ...



Contact Us

For catalog requests, pricing, or partnerships, please contact:

BLINK SOLAR

Phone: +48-22-555-9876

Email: info@blinkartdesign.pl

Website: <https://www.blinkartdesign.pl>

Scan QR code to visit our website:

