

BLINK SOLAR

Price of 20-foot solar-powered shipping containers for Southeast Asian islands

DETAILS AND PACKAGING



1 USER MANUAL PDF

2 RJ45 Cable For RS485/CAN

3 Battery in Parallel Cables

4 RJ45 TO USB Monitor Cable

5 M8 Terminal*4



Overview

Short version: From 2024, it costs between \$2,800 and \$5,500 to ship a 20-foot container of solar panels around the world, depending on origin, destination, fuel prices, and demand. How much does a full container load cost?

FCL: For international moves, a full container load charges about \$4000 which is approximately 27-30% more than LCL. LCL: Likewise, less than a container load costs about \$1600 for an overseas move which is less expensive than FCL. Do you plan any shipments?

.

Does custom selection affect international container shipping cost?

The custom selection of containers will definitely impact the international container shipping cost. Next up, the weight and volume of cargo can cause price fluctuations. That's because the cargo sometimes takes more space due to volume and demands more driving hours due to weight.

Why do container shipping costs fluctuate in the Red Sea?

The fluctuation in container shipping costs is affected by the current issues in the Red Sea. That's the reason, the shipping rates also increase. For the first time since the pandemic, entries of regional traders in transpacific trade have been noticed.

How do container freight costs differ from Port to Port?

Moving container costs for goods from port to port and country to country differs majorly depending on several key factors that are given below: Container freight cost is dependent on the route you select from the port of origin to the port of destination.

Price of 20-foot solar-powered shipping containers for Southeast As

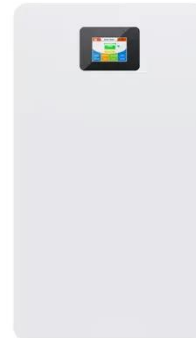


Container Shipping Cost & Rates Calculator ...

Want to know your container shipping costs? Use our free calculator to estimate your international container shipping rates. Try it now!

Solar Support for 20ft shipping container, single direction

Description Support structure for for installation on 20 ft CONEX shipping container. All modules face same direction. This system can accept six-twelve solar modules, of either 60 or 72 cell ...



Understanding Solar Container Pricing in 2025

What Drives Solar Container Costs? Solar container systems - those all-in-one power stations combining photovoltaic panels, batteries, and inverters in shipping containers - have become ...



20 Foot 40 Foot Energy Storage System Solar Photovoltaic Ess Containers

20 Foot 40 Foot Energy Storage System Solar Photovoltaic Ess Containers, Find Details and Price about Containers Shipping Containers from 20 Foot 40 Foot Energy Storage ...



12V 10AH



Solar Power Solutions for 20ft Shipping Containers

Why Solar Power Is Revolutionizing 20ft Container Use Replace diesel generators with renewable energy such as solar and to solve the problem of high and unreliable ...

Container Shipping Costs: 20 ft & 40 ft Freight Rates and Prices ...

Container sizes are different, so, 20 to 40-foot container shipping costs can vary. Additionally, based on dry, refrigerated, special-dimensioned, and FCL/LCL container shipping types, ...



Solar Container Price , Huijue I& C Energy Storage Solutions

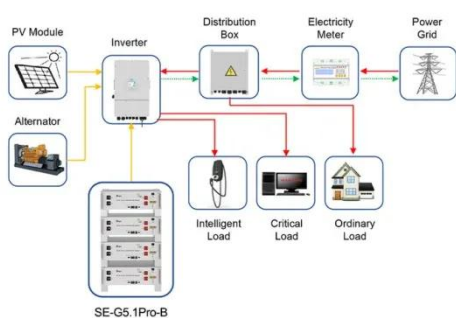
What Drives the Solar Container Price?

Let's cut through the confusion: a 20-foot solar-powered container system ranges from \$15,000 to \$100,000. But why such wild variation? Picture this - ...



Shipping container cost guide for smart 2025 ...

Container size: shipping container sizes range from 10 to 53 feet, rectangular or cubed. The smallest standard container size is 10 x 8 ...



Application scenarios of energy storage battery products

Solar Panels for Shipping Containers

Solar Panels. Solar power kit for shipping container. A plug-n-play solution that can be used as standalone 110v power supply or redundant system with public power. This kit can be ...

How Much to Ship Solar Panels in a Shipping Container?

Quick Answer: How Much Does Shipping Solar Panels in a Container Cost? Short

version: From 2024, it costs between \$2,800 and \$5,500 to ship a 20-foot container of solar ...



Solar powered shipping container house in Rangoon of Burma

The Solution: 20kW Solar-Powered Shipping Container System ANETHIC engineers began working on a comprehensive solar energy plan in May 2025. Just two ...

Container Photovoltaic Power System Market

The average carrying cost for a 40-foot solar container exceeds \$3,800/month compared to \$850 for standard solar components. Logistical bottlenecks emerge from competing industries using ...



Contact Us

For catalog requests, pricing, or partnerships, please contact:

BLINK SOLAR

Phone: +48-22-555-9876

Email: info@blinkartdesign.pl

Website: <https://www.blinkartdesign.pl>

Scan QR code to visit our website:

