

## BLINK SOLAR

# Paraguay public transport mobile energy storage vehicle price



## Overview

---

What is 'incentives and promotion of electric transport in Paraguay'?

In June 2022, the Government of Paraguay sanctioned the bill “Incentives and promotion of electric transport in Paraguay” with the aim of establishing a regulatory framework to promote and incentivise the use of electric transport in the public sector.

Should private operators buy electric buses in Paraguay?

However, despite the significant steps taken to advance electromobility, Paraguay lacks a conducive regulatory landscape to incentivise private operators to acquire electric buses. Currently, only tax exemptions are provided to operators who deploy electric buses.

When will Paraguay publish its national electromobility plan?

The Government of Paraguay is expected to publish its National Electromobility Plan in the fourth quarter of 2022. International involvement  
The transition to electric vehicles (EVs) in Paraguay has attracted significant international attention from countries such as Taiwan, South Korea, and from the EU.

Will Taiwan donate electric buses to Paraguay?

In May 2022, the Government of Taiwan announced plans to donate electric buses to Paraguay. As specified by the Embassy of Taiwan, the Government of Paraguay identified and designed four corridors for the operation of the buses. The number of electric buses to be donated was not specified.

## Paraguay public transport mobile energy storage vehicle price

---

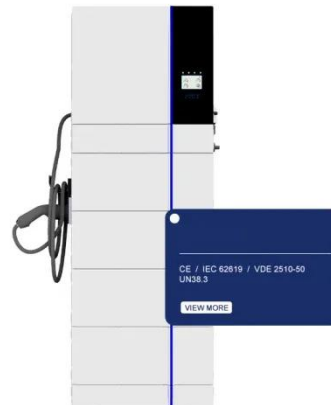


### Paraguay Powers Up: Third Fast Charging Station Opens In ...

What helps is the proximity of the important cities, low electricity prices, and technological advances. It will likely prompt more than half of Paraguay's population to choose ...

### Paraguay Advances in Public Policies for Electromobility ...

The implementation of these transport units represents a significant step towards the modernization of the public transport system, in line with the objectives of reducing ...



### Paraguay energy storage system electric vehicle



public transport sector, electric buses are already competitively priced, and forecasts estimate that, by 2030, 84% of global bus sales will be electric. Prices of light electric vehicles (EVs)

## Electromobility in Paraguay: Progress Report

Electromobility in Paraguay - What Progress Has Been Made, and What Do We Know About It? In recent months, different government institutions and energy companies ...



## Paraguay Public Transport Vehicle Market (2025-2031)

6Wresearch actively monitors the Paraguay Public Transport Vehicle Market and publishes its comprehensive annual report, highlighting emerging trends, growth drivers, revenue analysis, ...

## Paraguay Prepares Charging Regulation For Electric Vehicles

Energy authorities are currently drafting a regulation for the standardisation of connector types across Paraguay's electric vehicle charging network. While market forces ...



## All-new BYD Tang EV hits Paraguayan market



At the opening ceremony, the all-new BYD Tang EV officially went on sale in the local market, marking BYD's commitment to the continuous innovation in the field of new ...

---

## Electromobility in Paraguay: Introducing 1,000 electric

Even though most of the vehicles have been purchased from Asian countries, they have been adapted to North American charging standards. Hence, the government will need ...



---

## Paraguay Electric Car Market 2024-2030

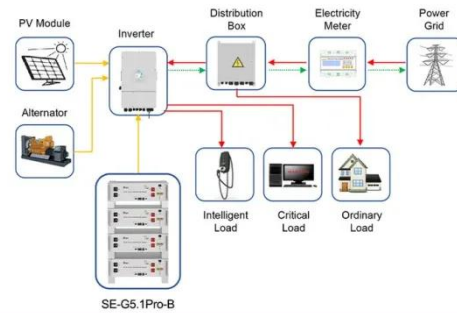
In Paraguay Electric Car Market, Itaipu and KWO - Oberhasli Kraftwerke AG, which owns hydropower plants in Paraguay, collaborated on the Electric Vehicle Program (EV).

---

## Paraguay designs tailored tariff for electric vehicles and

...

This model -- combining clean energy, technical efficiency, and public-private collaboration -- seeks to position Paraguay as an energy innovation hub in the Southern Cone.



Application scenarios of energy storage battery products

## Contact Us

For catalog requests, pricing, or partnerships, please contact:

### **BLINK SOLAR**

Phone: +48-22-555-9876

Email: [info@blinkartdesign.pl](mailto:info@blinkartdesign.pl)

Website: <https://www.blinkartdesign.pl>

Scan QR code to visit our website:

