

BLINK SOLAR

Outdoor Engineering Communication Network Base Station



Overview

How do outdoor base stations work?

Outdoor base stations integrate all essential systems into a single Integrated Cabinet, designed to endure harsh conditions like direct sunlight, rain, and extreme temperatures. These units protect the equipment while ensuring efficient functionality. Towers are crucial for mounting antennas at high elevations, ensuring wide signal reach.

Why are outdoor base stations important during power outages?

It becomes a top priority during power outages to maintain data flow. Outdoor base stations integrate all essential systems into a single Integrated Cabinet, designed to endure harsh conditions like direct sunlight, rain, and extreme temperatures. These units protect the equipment while ensuring efficient functionality.

What is a communication base station?

In the vast telecommunications network, communication base stations play a frontline role. Positioned closest to end users, they serve as gateways for processing customer requests and managing data flow. In the words of "Interesting Communication Engineering Drawings," these stations act like "business trackers," always vigilant to:

What is the main base station equipment connection diagram?

The Core Layout: Main Base Station Equipment Connection Diagram The connection diagram provides a clear overview of how the main base station equipment operates within the network. Surrounding this central "brain" are the "Four Guardians" that ensure seamless functionality:

Outdoor Engineering Communication Network Base Station



Unity(TM) Outdoor Integrated Base Station 5W

SageRAN Unity(TM) 5G Integrated Base Station leverages the NXP LX2160A platform, featuring low power consumption, easy customization, and high integration ...

An Independent UAV-Based Mobile Base ...

In disaster scenarios, e.g., earthquakes, tsunamis, and wildfires, communication infrastructure often becomes severely damaged. ...



Standard 20ft containers



Standard 40ft containers

What Is A Base Station?

A base station is an integral component of wireless communication networks, serving as a central point that manages the ...

Complete Guide to 5G Base Station

...

Explore how 5G base stations are built--from site planning and cabinet installation to power systems and cooling solutions. Learn the ...



Large-scale Outdoor Communication Base Station , Reliable ...

Discover the Large-scale Outdoor Communication Base Station, designed for smart cities, communication networks, and power systems. Integrated with solar, wind, and energy storage ...

outdoor communication base station ,Tronyan Communication Base Station

outdoor communication base station ,Tronyan communication base stations ensure reliable, high-performance network connectivity, providing seamless communication for modern ...



Base Stations

It provides for the interchange of data between the base station and other network components, hence

communication with ...



Base Stations

It provides for the interchange of data between the base station and other network components, hence communication with extrinsic systems and processes. Power Supply: The ...



CableFree Outdoor 4G & 5G LTE SDR Small Cell Base Station

Experience CableFree's 4G & 5G LTE Small Cell outdoor base stations with software-defined radio for great flexibility, high performance & low operation costs.

Outdoor Base Station Cabinet

Reliable Communication Infrastructure by Huijue As telecom and data networks expand into more complex and remote

locations, the need for dependable outdoor protection becomes essential. ...



Communication Base Station

The design and implementation of Tian-Power's communication backup solution aims to ensure the normal operation of the communication system in the event of a power outage or power ...

Optimizing the ultra-dense 5G base stations in urban outdoor ...

The developed model can facilitate the rollout of 5G technology. Due to the high propagation loss and blockage-sensitive characteristics of millimeter waves (mmWaves), ...



Deye Official Store

10 years
warranty

base transceiver station function

The Base Transceiver Station (BTS) is a crucial component in a mobile network, primarily in GSM (Global System for

Mobile Communications) and other cellular technologies. ...



(PDF) Accurate Base Station Placement in 4G ...

Cellular mobile communication network planning and optimization involve a complex engineering process that deals with ...



CableFree Outdoor 4G & 5G LTE SDR Small ...

Experience CableFree's 4G & 5G LTE Small Cell outdoor ...



Power Base Station

The RF requirements define the receiver and transmitter RF characteristics of a base station or UE. The base station is

the physical node that transmits and receives RF signals on one or ...



5G base station architecture, Part 1: Evolution

I thought that now would be a good time to review, with you the EDN design audience readership, where we are at technically with the ...

Complete Guide to 5G Base Station Construction , Key Steps, ...

Explore how 5G base stations are built--from site planning and cabinet installation to power systems and cooling solutions. Learn the essential components, technologies, and ...



Post-earthquake functional state assessment of communication base

The reliability and resilience of



communication base stations are critical to the post-earthquake performance of the communication system, and consequently influence the ...

An Independent UAV-Based Mobile Base Station

In disaster scenarios, e.g., earthquakes, tsunamis, and wildfires, communication infrastructure often becomes severely damaged. To rapidly restore damaged communication ...



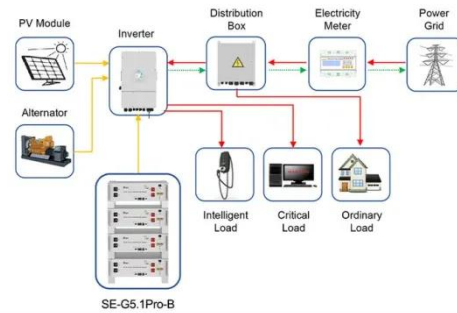
Research and Implementation of 5G Base Station Location ...

The application requirements of 5G have reached a new height, and the location of base stations is an important factor affecting the signal. Based on factors such as base station ...

Mobile Communication Network Base Station Deployment ...

This paper discusses the site optimization technology of mobile

communication network, especially in the aspects of enhancing coverage and optimizing base station layout. ...



Application scenarios of energy storage battery products



Integrated Sensing and Communication enabled ...

Driven by the intelligent applications of sixth-generation (6G) mobile communication systems such as smart city and au-tonomous driving, which connect the ...

Optimization of 5G base station coverage based on self ...

In communication network planning, a rational base station layout plays a crucial role in improving communication speed, ensuring service quality, and reducing investment ...



Optimizing the ultra-dense 5G base stations in urban outdoor ...

Abstract Due to the high propagation loss and blockage-sensitive



characteristics of millimeter waves (mmWaves), constructing fifth-generation (5G) cellular networks involves ...

Contact Us

For catalog requests, pricing, or partnerships, please contact:

BLINK SOLAR

Phone: +48-22-555-9876

Email: info@blinkartdesign.pl

Website: <https://www.blinkartdesign.pl>

Scan QR code to visit our website:

