

BLINK SOLAR

New products for solar container energy storage system



Overview

What storage technologies can be combined with solar PV systems?

Apart from the above four storage technologies, there are many more that can be combined with solar PV systems to store excess capacity electricity, such as thermal energy storage (TES) systems, ultra batteries and supercapacitors, to name a few.

What are the main solar energy storage technologies?

Connect with Niclas on LinkedIn SINOVOLTAICS introduces and explain the basics of the main solar energy storage technologies, including batteries, pumped hydro and flywheels.

What is AI-powered energy storage & X?

At the EESA show, the company also launched its AI-powered “energy storage + X” solution for grid-scale battery storage systems capable of facilitating sizing and construction of projects as well as their operation, specifically their lifecycle services and trading in the electricity spot market.

How much energy does a liquid cooled container hold?

The latest generation product has an energy density of more than 440 Wh/l, a roundtrip efficiency of 96%, and a cycle lifetime of nearly 16,000 charge-discharge cycles. The liquid-cooled system has a voltage range from 1500 V – 2000 V and is configurable for storage durations of two to eight hours. The container weighs around 55 tons.

New products for solar container energy storage system

Envision pushes energy storage density to new highs with 8 ...



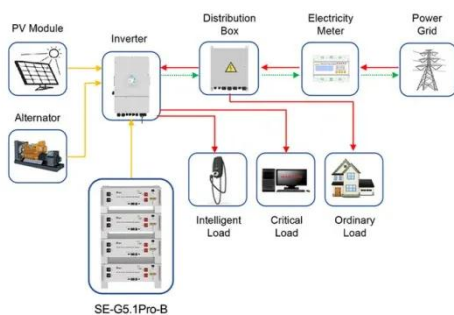
Chinese multinational Envision Energy has unveiled the world's most energy dense, grid-scale battery energy storage system packed in a standard 20-foot container.

Envision pushes energy storage density to new highs with ...

Chinese multinational Envision Energy has unveiled the world's most energy dense, grid-scale battery energy storage system packed in a standard 20-foot container.



- IP65/IP55 OUTDOOR CABINET
- OUTDOOR CABINET WITH AIR CONDITIONER
- OUTDOOR ENERGY STORAGE CABINET
- 19 INCH



Application scenarios of energy storage battery products

Future Leading Mobile Solar Container Company from China Sets New

Discover our durable and modular energy storage containers designed for high-capacity energy storage in solar and wind power applications. Optimize your renewable ...

Off-Grid Solar Storage Systems: Containerized Solutions for ...

Explore the benefits and technology behind containerized off-grid solar storage systems. Learn how these scalable, cost-efficient solutions provide reliable power and energy ...



How Alfen's new energy storage solution ...

Energy storage plays a key role in supporting the transition to renewables, and solutions must be more efficient, scalable, and ...

Shipping Container Energy Storage System Guide

Essentially, a shipping container energy storage system is a portable, self-contained unit that provides secure and robust storage for electricity generated from ...



Container Photovoltaic Energy Storage Brands: The Future of ...

Sounds like sci-fi? Welcome to 2025, where container photovoltaic energy

storage brands are redefining how we harness solar energy. With the global energy storage market booming at ...



Shipping Container Energy Storage System ...

Essentially, a shipping container energy storage system is a portable, self-contained unit that provides secure and robust storage for ...



MARSTEK Unveil New VENUS Energy Storage Systems at the ...

Fully compatible with all existing solar systems, it utilizes AI-powered forecasting and time-of-use optimization to reduce energy bills while maximizing efficiency.

CATL Launches World's First 9MWh Ultra-Large Capacity

Landmark innovation pairs high capacity with flexible transport, redefining large-

scale energy storageCATL today unveiled the TENER Stack, the world's first 9MWh ultra-large ...



CATL Launches World's First 9MWh Ultra ...

Landmark innovation pairs high capacity with flexible transport, redefining large-scale energy storageCATL today unveiled the TENER ...

Container Energy Storage System

WINCLE 20- and 40-foot containment energy storage solutions that add battery energy storage to solar, EV charging, wind, and other renewable energy applications can increase revenues. ...



How Alfen's new energy storage solution maximises capacity ...

Energy storage plays a key role in supporting the transition to renewables,

and solutions must be more efficient, scalable, and adaptable to evolving grid needs. This new ...



Off-Grid Solar Storage Systems: ...

Explore the benefits and technology behind containerized off-grid solar storage systems. Learn how these scalable, cost-efficient ...



Integrating Solar Power Containers into Modern Energy ...

In the future, the convergence of containerized solar with smart grid technologies, modular hydrogen storage, and AI-driven maintenance is expected to unlock new levels of ...



Contact Us

For catalog requests, pricing, or partnerships, please contact:

BLINK SOLAR

Phone: +48-22-555-9876

Email: info@blinkartdesign.pl

Website: <https://www.blinkartdesign.pl>

Scan QR code to visit our website:

