

BLINK SOLAR

Nairobi Base Station Power Supply Tender



Overview

What tenders are available for Kenya Power?

Kenya Power is seeking qualified bidders for tenders available. Tender Ad - 1. PPEs 2. Copper & Aluminium Winding - 18.11.2025 Tender Ad - 1. Third Party Garages 2. UPS for Data Centre 3. Oracle 4. KPLC Radio - 11.11.2025 . Explore Kenya Power's latest tender notices.

Where can I get tender documents for KPLC?

Tender documents detailing the requirements of the above tenders may be obtained from the Kenya Power website () from the dates shown above. NO. TENDER NO. 2. 3. 4. 5. 6.

Is Kenya Power a public company?

Kenya Power is a public company listed in the Nairobi Securities Exchange. The company is a national electric utility company, managing electric metering, licensing, billing, emergency electricity service and customer relations.

What does global tenders do?

The company is a national electric utility company, managing electric metering, licensing, billing, emergency electricity service and customer relations. Global Tenders tracks thousands of websites, newspapers and journals from more than 200 countries and updates you with the latest information.

Nairobi Base Station Power Supply Tender

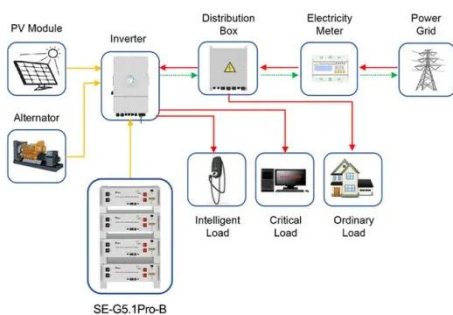
Kenya Power And Lighting Company Kenya Tenders



Kenya Power and Lighting Company, commonly referred to as Kenya Power or shortened KPLC, is a public liability company which transmits, distributes and retails electricity ...

Kenya Power Tender Opportunities o TendersKenya

Supply and Delivery of Low Sulphur Diesel to Off Grid Power Stations Login To View Company Open Documents Open: Close:



Application scenarios of energy storage battery products

OPEN NATIONAL TENDER FOR SUPPLY, DELIVERY AND ...

OPEN NATIONAL TENDER FOR SUPPLY, DELIVERY AND MAINTENANCE OF 3KVA UNINTERRUPTED POWER SUPPLY (UPS) TENDER NO: CA/SCM/OT/48/2024-2025

...

Puzzle of Kenya Power diesel supply awarded to highest bidder

Auditor General Nancy Gathungu has flagged Sh14.4 billion diesel supply tender by Kenya Power that was questionably awarded to the highest bidder, and way above estimated ...



INVITATION TO VARIOUR TENDERS APRIL 2025 - KENYA POWER

KENYA POWER TENDER APRIL 2025
INVITATION TO TENDER Kenya Power invites tenders from interested bidders for provision of the following:- NO. TENDER NO.

INVITATION TO TENDER

INVITATION TO TENDER Kenya Power invites tenders from interested bidders for provision of the following:- Tender documents detailing the requirements of the above tenders ...



Kenya power Tenders, Bids and RFP

Latest Kenya power Tenders,



Government Bids, RFP and other public procurement notices related to power from Kenya. Users can register and get updated ...

Contact Us

For catalog requests, pricing, or partnerships, please contact:

BLINK SOLAR

Phone: +48-22-555-9876

Email: info@blinkartdesign.pl

Website: <https://www.blinkartdesign.pl>

Scan QR code to visit our website:

