

**BLINK SOLAR**

# Myanmar power storage vehicle manufacturer



## Overview

---

Does Myanmar have an electric vehicle industry?

Once in its infancy, Myanmar's electric vehicle (EV) industry is steadily developing. The National Level Electric Vehicle and Related Industry Development Steering Committee released an updated list featuring 87 licensed companies as of May 2025.

Who is the top Nev distributor in Myanmar?

The company is currently the top NEV distributor in Myanmar. Through this partnership, Leapmotor will establish an assembly line in Myanmar in cooperation with NPK MOTOR. This will enhance Leapmotor's cost competitiveness in the local market, introduce advanced NEV products to Myanmar, and meet the growing demand for green mobility solutions.

Is Myanmar's EV market nascent?

The latest additions emphasize critical pillars of Myanmar's green mobility agenda, including charging station development and e-bus services. This development provides a clear indication of interest for foreign investors: Myanmar's EV market is no longer nascent.

Is Myanmar a hotspot for electric mobility?

This development provides a clear indication of interest for foreign investors: Myanmar's EV market is no longer nascent. With clear regulatory frameworks, increasing private sector participation, and government support, Myanmar is fast becoming a regional hotspot for electric mobility and supporting industries. Newly Joined Companies in 2025

## Myanmar power storage vehicle manufacturer

---



### Which is the best power storage vehicle in Myanmar

Image Source: Solis. Myanmar - [Janu] - Solis, a global leader in renewable energy solutions, has once again set a new benchmark in sustainable energy with the successful ...

### Kaixin Auto Signed a New Energy Vehicle Export Deal with Myanmar ...

In a significant move towards new energy transformation, Kaixin Auto, a company originally focused on used car trading, has inked an export agreement with Myanmar New ...



### Myanmar's EV Sector Continues to Grow in 2025 as Newly ...

Once in its infancy, Myanmar's electric vehicle (EV) industry is steadily developing. The National Level Electric Vehicle and Related Industry Development Steering ...

## Leapmotor Signs Agreement With Myanmar's NPK MOTOR ...

Leapmotor Signs Agreement With Myanmar's NPK MOTOR Company On the evening of November 27, Leapmotor announced its recent signing of a strategic cooperation ...



## Myanmar Energy Storage Container Manufacturers: ...

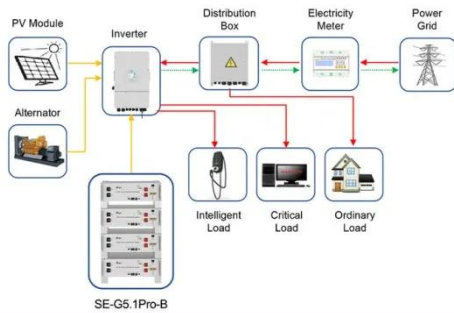
The answer lies in massive battery-packed containers. As a Myanmar energy storage container manufacturer, you're not just selling metal boxes - you're providing the ...

## SHIN THIT KYAW COMPANY LIMITED

SHIN THIT KYAW COMPANY LIMITED (widely known as STK) is an Authorised Distributor for Tandhan Power Technologies Pvt. Ltd., began its journey in Myanmar (formerly ...



## Exhibition Review , The 2025 Myanmar Photovoltaic Energy Storage Power



Application scenarios of energy storage battery products

From January 10th to 12th, the 2025 Myanmar Photovoltaic Energy Storage Power Exhibition opened in Yangon, the largest city in Myanmar. This exhibition has attracted ...

## Myanmar Mandalay Power and Energy Storage Battery

As Myanmar's second-largest city, Mandalay faces growing energy demands from industrial expansion and urbanization. A reliable power and energy storage battery manufacturer plays a ...



## Energy Storage Manufacturers, Suppliers & Companies Serving Myanmar

Find the top Energy Storage manufacturers, suppliers and companies from a list including PHILOS Co. Ltd., Solar Turbines Incorporated, Teledyne Gas and Flame Detection and more.

**Contact Us**

For catalog requests, pricing, or partnerships, please contact:

**BLINK SOLAR**

Phone: +48-22-555-9876

Email: [info@blinkartdesign.pl](mailto:info@blinkartdesign.pl)

Website: <https://www.blinkartdesign.pl>

*Scan QR code to visit our website:*

