

BLINK SOLAR

Mobile self-generating energy storage container



Overview

What is a mobile solar container system?

The mobile solar container system includes solar panels, storage batteries, inverter, mounting brackets, and accessories. Solar panels collect energy from the sun and store it in the battery bank, and the inverter converts it to AC power for use.

What is HJ mobile solar container?

The HJ Mobile Solar Container comprises a wide range of portable containerized solar power systems with highly efficient folding solar modules, advanced lithium battery storage, and smart energy management.

Does a mobile solar container work with a lithium battery storage container?

The mobile solar container is designed to work seamlessly with lithium battery storage containers, allowing for efficient energy storage and use. This compatibility makes storing solar power easier when sunlight is unavailable. Lifespan is over 10 years old with reliable materials.

How mobile solar containers can be transported?

The solar panels' rail system and folding mechanism are fixed on a sturdy floor frame. This configuration makes it simple to transfer the mobile solar containers by trucks, trains, and cargo ships. Foldable, mobile, compact, and modularized. Mobile solar containers can be compactly stored and easily transported to different locations.

Mobile self-generating energy storage container

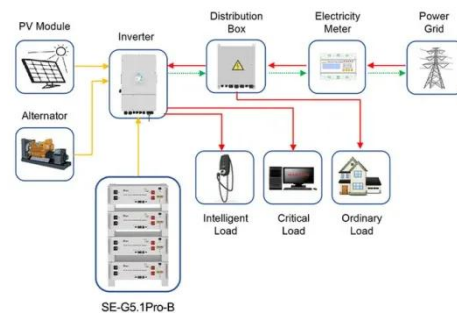


Revolutionizing Renewable Energy in Shenzhen: Xiaofu ...

As China accelerates toward a low-carbon economy, tools like our MW-scale containers are essential for bridging the gap between ambition and execution. If you're optimizing mobile EV ...

Mobile Energy Storage Battery: The Ultimate Guide

A mobile energy storage battery, often called a portable power station, is a self-contained device that stores electrical energy for later use. Think of it as a much larger, more ...



Application scenarios of energy storage battery products



Mobile energy storage technologies for boosting carbon ...

Compared with traditional energy storage technologies, mobile energy storage technologies have the merits of low cost and high energy conversion efficiency, can be flexibly ...

Mobile Solar Container: Green Energy Anywhere

Integrated Energy Storage Equipped with a built-in battery system (Lithium-ion battery), it stores solar power for off-grid operation. Smart Energy Storage Management -Scalable from 1 MWh ...



Mobile Solar Power Containers: Off-Grid Energy Anywhere

In an era where energy resilience and sustainability are more critical than ever, the Mobile Solar Power Container is emerging as an intelligent solution that integrates mobility, ...

Solar Container , Large Mobile Solar Power Systems

Power anywhere, rapid deployment LZY mobile solar systems integrate foldable, high-efficiency panels into standard shipping containers to generate electricity through rapid ...



Solar Container , Large Mobile Solar Power ...

Power anywhere, rapid deployment LZY mobile solar systems integrate foldable,

high-efficiency panels into standard shipping ...



Mobile Solar Container

With their innovative design, these Mobile Solar Containers ensure swift deployment and efficient energy generation, fostering environmental sustainability and convenience. Application ...



Mobile self-generating energy storage container

The innovative and mobile solar container contains 196 PV modules with a maximum nominal power rating of 130kWp, and can be extended with suitable energy storage systems. The ...



Mobile Solar PV Container , Portable Solar Power Solutions

High-efficiency Mobile Solar PV Container with foldable solar panels, advanced

lithium battery storage (100-500kWh) and smart energy management. Ideal for remote areas, emergency ...



Mobile solar container

Mobile solar container Huijue Group's Mobile Solar Container offers a compact, transportable solar power system with integrated panels, battery storage, and smart management, providing ...

Mobile Solar Container

With their innovative design, these Mobile Solar Containers ensure swift deployment and efficient energy generation, fostering environmental ...



Contact Us

For catalog requests, pricing, or partnerships, please contact:

BLINK SOLAR

Phone: +48-22-555-9876

Email: info@blinkartdesign.pl

Website: <https://www.blinkartdesign.pl>

Scan QR code to visit our website:

