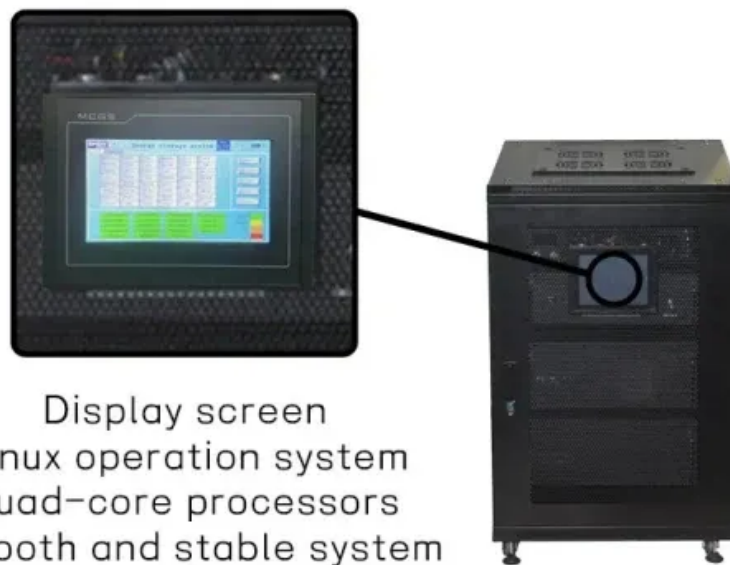


## BLINK SOLAR

# Manufacturing lead-acid batteries for solar container communication stations



Display screen  
Linux operation system  
quad-core processors  
smooth and stable system



## Overview

---

Can a lead acid battery system be used for large-scale energy storage?

Even though the lead acid battery system is only used in EES applications that require relatively short discharge durations, the lead acid ultra-battery system could be available for large-scale energy storage with a high power and energy if the cost and discharge duration issues can be overcome. Paul Arévalo, .

Who is the leading lead acid battery manufacturer in China?

From smart energy storage systems to high-performance EV solutions, Tianneng will be your reliable lead acid battery manufacturer in China. Join Tianneng Group at the 136th Autumn Canton Fair! Tianneng International holds hands with SIEGER TECH, the largest lithium Pack manufacturer in India.

Can lead acid batteries be recycled?

In addition, the cell components (especially lead) can be efficiently recycled, at a high rate of 97% from used batteries. However, the cycle-life of the lead acid battery can be limited.

Who is the best energy storage battery manufacturer?

Tianneng is one of the best energy storage battery manufacturers, which is committed to providing a full range of energy storage solutions featuring solid green energy protection and adequate backup power for global industrial, commercial and household electricity.

## Manufacturing lead-acid batteries for solar container communication

---

Energy storage(KWH)

**102.4kWh**

Nominal voltage(Vdc)

**512V**

Outdoor All-in-one ESS cabinet

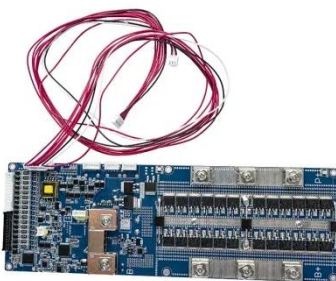


### The Global Leading Battery Suppliers , Tianneng

A Reliable Battery Partner Since 1986  
Founded in 1986, Tianneng is a battery supplier with more than 30 years of development in China and has become a leading lead acid battery ...

### Sealed Lead Acid Solar System AGM 12V70ah Battery for ...

Sealed Lead Acid Solar System AGM 12V70ah Battery for Data-Center/  
Communication/ Solar-Panel Amaxpower Accumulator, Find Details and Price about Sealed ...



### Novel Technical Sail Solar Lead Carbon Battery 2000ah for Communication

Sail Solar has developed an industry-leading intelligent manufacturing system, and constantly leads innovation in equipment and technology with the independent R& D of a top ...

## Lead-Acid Batteries for Energy Storage Stations

Lead-acid batteries have long been a staple in energy storage stations, valued for their reliability, cost-effectiveness, and mature technology. Specifically designed for stationary energy storage

...



## APPLICATION OF ENERGY STORAGE LEAD ACID BATTERIES IN 5G BASE STATIONS

Are the batteries of telecommunication operators base stations large While until a few years ago, battery systems of telecom installations used large lead acid cells, nowadays, lithium-based ...

## MANUFACTURING OF BATTERIES IN ASEAN

Price of lead-acid batteries for communication base stations in Mexico  
The global Battery for Communication Base Stations market size is projected to witness significant growth, with an ...



## Battery Room Ventilation and Safety

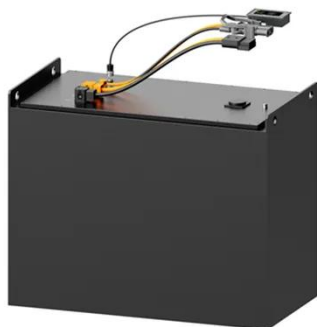


**BATTERY ROOM VENTILATION AND SAFETY** It is common knowledge that lead-acid batteries release hydrogen gas that can be potentially explosive. The battery rooms ...

---

## Novel Technology Sail Solar Lead Carbon Battery 2000ah for

Sail Solar has developed an industry-leading intelligent manufacturing system, and constantly leads innovation in equipment and technology with the independent R& D of a top ...



---

## TELECOM CARRIERS TO RAMP UP WORK ON 5G BASE STATIONS

Land type for lead-acid batteries in communication base stations The global Battery for Communication Base Stations market size is projected to witness significant growth, with an ...

---

## Maintenance and care of lead-acid battery packs for solar communication

The battery pack is an important component of the base station to achieve uninterrupted DC power supply. Its investment is basically the same as that of the rack power supply equipment. ...



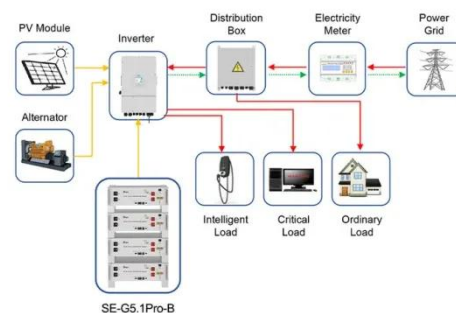
## New Technique Sail Solar Lead Carbon Battery 2V2000ah for Communication

Sail Solar has developed an industry-leading intelligent manufacturing system, and constantly leads innovation in equipment and technology with the independent R& D of a top ...

## Communication & Energy Storage Lead-Carbon Battery

...

Among the downstream segments of lead-acid batteries, automotive lead-acid batteries hold a dominant position. The global automotive lead-acid battery market size was ...



Application scenarios of energy storage battery products

## APPLICATION OF ENERGY STORAGE LEAD ACID BATTERIES IN 5G BASE

## STATIONS



Energy storage for communication base stations in Helsinki This report provides an initial insight into various energy storage technologies, continuing with an in-depth techno-economic ...

---

### The national technical standard for lead-acid batteries for

Recently, it has been noted that the China Communications Enterprise Association has officially released nine group standards, including the "Technical Standards for Concealed ...



---

### Lead Acid Battery Systems

A lead-acid battery system is defined as a type of electrochemical energy storage device that consists of grid-shaped lead or lead alloy electrodes, a sulfuric acid-based electrolyte, and can ...

---

### Fresh Technology Sail Solar Lead Carbon Battery 2V2000ah

...

Sail Solar has developed an industry-leading intelligent manufacturing system, and constantly leads innovation in equipment and technology with the independent R& D of a top ...



## How Energy Storage Lead Acid Batteries Are Revolutionizing

...

As the industry continues to evolve, embracing innovations and integrating renewable energy sources with lead acid battery systems will be key to ensuring sustainable ...

## Contact Us

For catalog requests, pricing, or partnerships, please contact:

### **BLINK SOLAR**

Phone: +48-22-555-9876

Email: [info@blinkartdesign.pl](mailto:info@blinkartdesign.pl)

Website: <https://www.blinkartdesign.pl>

*Scan QR code to visit our website:*

