

BLINK SOLAR

Madrid solar Energy Storage Project



Overview

What is energy storage in Spain?

It targets large-scale energy storage projects in Spain. It focuses on technologies like standalone battery energy storage systems (BESS), pumped hydro energy storage (PHES), and thermal energy storage. The program supports hybrid projects, which combine storage with renewable energy, such as solar or wind farms.

What is the solarplaza summit energy storage Spain?

This second edition of the Solarplaza Summit Energy Storage Spain marks a significant leap forward in Spain's energy storage market, with the Spanish government allocating €150 million to catalyze energy storage projects linked to renewable installations, underscoring a strong commitment to fostering sector growth through financial incentives.

Will Madrid become a central base for energy storage systems?

"Our strategy is very clear: to turn Madrid into our central base for energy storage systems. From there, we'll provide agile and specialized support to clients across Europe and Latin America," Gattoni explained.

When is energy storage in Madrid 2024?

So join us in Madrid on the 24th of October 2024. The combination of favorable policies, technological advancement, and substantial market potential signals a prime opportunity to lead in the energy storage space. Capitalize on this moment to not only drive your company's growth but also to solidify its role in a sustainable future

Madrid solar Energy Storage Project

INTEGRATED DESIGN

EASY TO TRANSPORT AND INSTALL,
FLEXIBLE DEPLOYMENT



Spain's EUR700 Million Plan to Boost Energy Storage and ...

It targets large-scale energy storage projects in Spain. It focuses on technologies like standalone battery energy storage systems (BESS), pumped hydro energy storage ...

Madrid energy storage photovoltaic panel installation

Top 15 Solar Panel Companies in Spain for 2024 They offer various services related to solar energy usage, including installation, home automation for optimizing energy consumption, the ...



Edisun Power builds three large solar parks in the Madrid area

The Madrid region has the highest energy consumption in Spain. So, the demand for solar power is therefore huge. Swiss project developer Edisun Power Europe is now ...



Madrid Energy Storage Power Generation: How Spain is ...

A city where sunlight fuels not just tapas bars but also massive "water batteries" hidden in mountains. Welcome to Madrid's energy landscape, where solar power and energy ...



Spain Launches EUR700 Million Energy Storage Scheme to ...

This new funding builds on earlier support under Spain's Recovery, Transformation and Resilience Plan (PRTR), which has already mobilized EUR730 million for 4.5 GW of storage ...

SolarPlaza Summit Iberia 2025

4 June 2025 SolarPlaza Summit Iberia 2025 The renewable energy sectors in Spain and Portugal are currently crucial in transitioning towards a more sustainable energy system, with solar PV ...



Bioforestal del Mediterraneo Partners with Mars Renewable ...

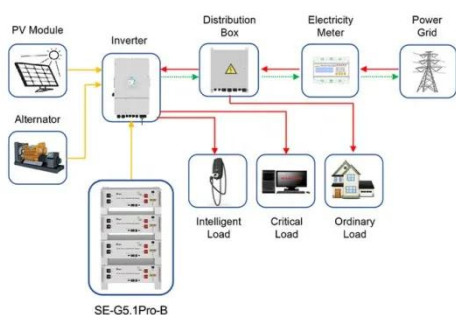
...



MADRID, SPAIN, Feb. 24, 2025 (GLOBE NEWSWIRE) - Bioforestal del Mediterraneo ("Bioforestal"), a prominent global renewable energy promoter, has partnered with Mars ...

Spanish renewable energy developers plan to deploy 100MW/200MWh solar

According to foreign media reports, a renewable energy developer headquartered in Madrid, Spain, recently said that it plans to deploy a solar energy+energy storage project, in ...



Application scenarios of energy storage battery products

Solarplaza Summit PV & Storage on Jin Madrid, ...

Solarplaza Summit PV & Storage scheduled on Jat Madrid, Spain is for the researchers, scientists, scholars, engineers, academic, scientific and university ...

Madrid is preparing to host one of the largest solar power

...

The project will significantly increase the percentage of renewable energy in the local energy mix of the Community of Madrid, which is still below that of other Spanish ...



Spanish Zhongli Energy Storage: Powering the Future of ...

Ever wondered how Spain plans to keep flamenco-dancing streetlights glowing when the sun takes a siesta? Enter Zhongli Energy Storage solutions, the unsung heroes in ...

Massive Solar Power Plant Opens in Madrid, Revolutionizing ...

9 hours ago A new solar power plant has officially opened near Madrid, Spain, marking a pivotal advancement in the nation's renewable energy efforts. This large-scale facility is among the ...



Risen Energy reinforces energy storage strategy and establishes Madrid



With Intersolar Europe 2025 as a platform to highlight its evolution, Risen Energy emerges as a strategic partner in the global energy transition, combining cutting-edge storage solutions, ...

Current situation and challenges of energy storage in Spain

Energy storage has become a key piece of the electrical future in Spain, amidst the advance of renewable energies and the progressive withdrawal of nuclear generation. ...



Contact Us

For catalog requests, pricing, or partnerships, please contact:

BLINK SOLAR

Phone: +48-22-555-9876

Email: info@blinkartdesign.pl

Website: <https://www.blinkartdesign.pl>

Scan QR code to visit our website:

