

**BLINK SOLAR**

# Lusaka solar Tile Power Generation Company



 **TAX FREE**

**1-3MWh**  
**BESS**



## Overview

---

Where to buy solar energy in Lusaka Zambia?

Chisango Rd, Lusaka, Zambia 5130 Chandwe Musonda Rd, Lusaka, Zambia Shop#3 Star Shopping Ctr, Northmead, Lusaka, Zambia Roma, Lusaka, Zambia Chipwenupwenu Rd off Kafue Road, Makeni Rd, Lusaka, Zambia Katemo Rd, Rhodes Park, Lusaka, Zambia . Search results of Top 252 Solar Energy Companies in Lusaka, Zambia.

Where is MPOWER ventures located in Zambia?

Plot 832/1 Katemo Road, Lusaka, Zambia LUMUMBA ROAD, NEXT TO FAMILY 24 P.O. BOX 112FW, Lusaka, Zambia 50 Independence Ave Civic Ctr Area, P.O.Box 30514, Lusaka, Zambia MPower Ventures Zambia Ltd. 100 Subdivision 487, Kabulonga Lusaka Zambia 73 Independence Avenue, Lusaka, Zambia Plot 9362, Mumbwa Rd, P.O.Box 31744, Lusaka, Zambia.

Why should you invest in a photovoltaic system in Zambia?

Zambia provides optimal conditions for photovoltaic (PV) with average irradiation rates of 5.5 kWh/m<sup>2</sup>. To harvest that huge source of energy we provide a wide range of photovoltaic solutions for the residential, business and social sector. In general, PV systems can be divided into on-grid and off-grid systems.

Why should you choose a solar pump system in Zambia?

Zambia has one of the biggest water resources in Sub-Saharan Africa and our solar pump systems will enable you to access those resources at any place. Either for residential use, irrigation of farm land or industrial applications, solar pumps will ensure an independent water supply at your location.

## Lusaka solar Tile Power Generation Company

---



### List Of Solar Energy Companies in Lusaka Province

The top three cities with the most Solar Energy Companies are Lusaka with 65 Solar Energy Companies, Kafue with 3 Solar Energy Companies, Chongwe with 2 Solar ...

---

### Solar PV Analysis of Lusaka, Zambia

Maximise annual solar PV output in Lusaka, Zambia, by tilting solar panels 15degrees North. Lusaka, Zambia, located at latitude -15.4183 and longitude 28.287, is well-suited for solar ...



---

### Bangweulu solar farm

Other names: Bangweulu Solar PV Plant, West Lunga Scailing Solar Energy Project, West Lunga Scailing Solar Project  
Bangweulu solar farm is an operating solar photovoltaic ...

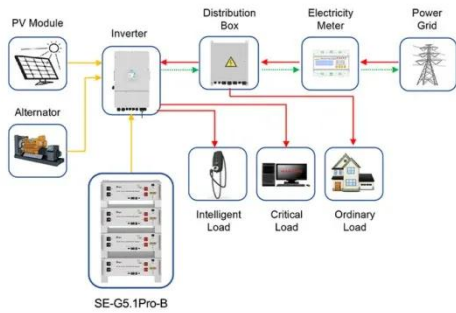


2MW / 5MWh  
Customizable

## Lusaka Photovoltaic Panel Solar Plant

In Lusaka, photovoltaic solar power generation systems have shown promising results. On average, a solar installation can generate 6.16 kWh per day per kW of installed capacity during

...



Application scenarios of energy storage battery products

## CEC to increase power capacity for its Riverside solar plant

Lusaka - Zambia: Copperbelt Energy (CEC) has signed an agreement with Sinohydro Corporation Zambia Limited to increase the capacity at its Riverside Solar

## JOINT PRESS RELEASE - LUSAKA, ZAMBIA

The company aggregates power and then sells the renewable-generated power to utilities, private sector offtakers, national power trading markets, and on the SAPP. Its ...



## 10 Solar Panel Installers in Lusaka

In Lusaka, Zambia, several companies specialize in solar panel installation,

catering to the growing demand for renewable energy solutions. Notable firms include Solar Africa, which ...



## Clean Energy: Amsons Group seals US\$600 million clean energy generation

Amsons Group Managing Director Edha Nahdi meets Zambia's President Hakainde Hichilema in Lusaka during the signing of a landmark US\$600 million agreement to develop a ...



## Shanshan Solar Tile Power Generation

As another option in the Tejas Borja solar range, we offer a format compatible with our other flat ceramic tile model, the Flat-10. The SOLAR FLAT-10 tile is the same size as 5 ceramic tiles

## Suntech Zambia , Suntech Appropriate Technology LTD.

Suntech Appropriate Technology is a

Zambian company officially registered with the Patents and Companies Registration Office since 1993. Suntech is also registered with and licensed by the ...



---

## Contact Us

---

For catalog requests, pricing, or partnerships, please contact:

### **BLINK SOLAR**

Phone: +48-22-555-9876

Email: [info@blinkartdesign.pl](mailto:info@blinkartdesign.pl)

Website: <https://www.blinkartdesign.pl>

*Scan QR code to visit our website:*

