

**BLINK SOLAR**

# **Kyrgyzstan Off-Grid Solar Containerized Smart**



## Overview

---

What is Kyrgyzstan's solar energy project?

The solar energy project aligns with Kyrgyzstan's Energy Sector Development Strategy, which aims to develop 1,500 MW of renewable energy by 2035. This strategy, supported by the World Bank, seeks to diversify the energy sector, increase domestic electricity generation, and reduce greenhouse gas emissions.

When will Kyrgyzstan's solar energy project start?

The second phase of the tender is expected to commence soon. The solar energy project aligns with Kyrgyzstan's Energy Sector Development Strategy, which aims to develop 1,500 MW of renewable energy by 2035.

Why is Kyrgyzstan's energy sector deteriorating?

in Kyrgyzstan. Deteriorating infrastructure The deterioration of energy sector infrastructure coupled with the financial crisis in the energy system will eventually lead either to a significant decrease in the quality of produ.

Will Kyrgyzstan develop new solar power plants in Batken & Talas?

Kyrgyzstan partners with the IFC to develop new solar power plants in Batken and Talas, aiming to power over 125,000 homes and advance its renewable energy goals.

## Kyrgyzstan Off-Grid Solar Containerized Smart

---



### Kyrgyzstan Expands Solar Energy with New ...

Kyrgyzstan partners with the IFC to build new solar power plants in Batken and Talas, aiming to power over 125,000 homes and ...

### Off-Grid Solar Storage Systems: Containerized Solutions ...

With rising energy costs and a global push toward sustainability, achieving true energy independence is now a practical reality. Off-grid solar storage systems are leading this ...



### Kyrgyzstan is building a more resilient energy grid with ...

Conclusion on Solar Power in Kyrgyz Republic (Kyrgyzstan) Kyrgyzstan's geographic challenges, hydropower dependency, and rural energy gaps make solar energy a critical tool for energy ...

## Innovate or Evaporate: Decentralized Power Generation as

written by Shamil Ibragimov, discusses how Kyrgyzstan, facing significant challenges from climate change, can leverage decentralized power generation--particularly ...



## How Containerized Battery Energy Storage Systems Boost ...

What Are Containerized Battery Energy Storage Systems? These systems change regular shipping containers into power centers. They hold batteries that save electricity from ...

## Kyrgyzstan Smart Solar Power Market (2025-2031) , Trends, ...

Historical Data and Forecast of Kyrgyzstan Smart Solar Power Market Revenues & Volume By Off-Grid Energy Solutions for the Period 2021-2031  
Historical Data and Forecast of Kyrgyzstan ...



## Innovate or Evaporate: Decentralized Power ...

written by Shamil Ibragimov, discusses how Kyrgyzstan, facing significant

challenges from climate change, can leverage ...



---

## Off-Grid Solar Storage Systems: ...

Explore the benefits and technology behind containerized off-grid solar storage systems. Learn how these scalable, cost-efficient ...



---

## How Containerized Battery Energy Storage Systems Boost

What Are Containerized Battery Energy Storage Systems? These systems change regular shipping containers into power centers. They hold batteries that save electricity from ...

---

## KYRGYZSTAN LITHIUM BATTERY GRID CONNECTED ENERGY STORAGE

Solar Storage Container Market Growth

The global solar storage container market is experiencing explosive growth, with demand increasing by over 200% in the past two years. Pre-fabricated ...



### How Containerized Battery Energy Storage Systems Boost ...

Mali South Africa Ess Storage Solar Power Station 250kw 500kw 1MW Hitek off Grid Hybrid Commercial Solar Energy Systems Complete Set Model: HT500KW-HY 20FT 40FT ...

### RENEWABLE ENERGY SOURCES IN KYRGYZSTAN

Renewable energy of Kyrgyzstan  
Kyrgyzstan's energy sector is undergoing significant transformations. Advances in renewable energy technology and increased ...



### MOBIPOWER Battery Energy Storage Systems ...

MOBIPOWER hybrid clean power containers combine battery energy

storage systems with off-grid solar containers for remote industrial ...



---

## Kyrgyzstan Expands Solar Energy with New IFC-Backed Plants

Kyrgyzstan partners with the IFC to build new solar power plants in Batken and Talas, aiming to power over 125,000 homes and advance its renewable energy goals.



## Kyrgyzstan off-grid solar power generation system

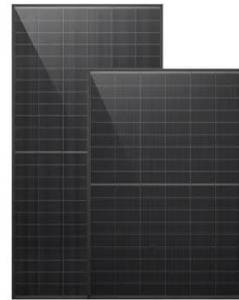
The development will integrate solar generation with energy storage and a smart grid, enabling Kyrgyzstan off grid technologies Figs. 1 to 3 show different hybrid configurations ...

---

## Kyrgyzstan's transition to renewable ener

o Improve renewable energy resource mapping Zoning for solar PV and wind

should be prioritised. An analysis of potential suitability, as conducted by the IRENA, identifies ...



### **Kyrgyzstan Solar Power Inverter**

Mobile Solar Container Stations for Emergency and Off-Grid Power Designed for mobility and fast deployment, our foldable solar power containers combine solar modules, storage, and ...

### **Kyrgyzstan off grid technologies**

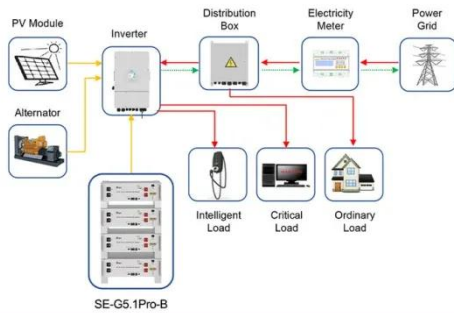
Does Kyrgyzstan have electricity? Because of the legacy of Soviet infrastructure, access to electricity through the national grid is nearly common in Kyrgyzstan, covering 99.8 % of rural ...



### **Powering Remote Kyrgyzstan The Rise of Photovoltaic Off-Grid ...**

Summary: Discover how photovoltaic off-grid systems are transforming energy

access in Kyrgyzstan's remote regions. This guide explores practical applications, cost-saving ...



Application scenarios of energy storage battery products

## PHOTOVOLTAIC INVERTER IN KYRGYZSTAN

Off-grid photovoltaic inverter 11kw The single phase 11kw dc to ac off grid inverter combines solar energy, battery storage, and grid backup capabilities in one seamless system, allowing users ...



## Contact Us

For catalog requests, pricing, or partnerships, please contact:

### **BLINK SOLAR**

Phone: +48-22-555-9876

Email: [info@blinkartdesign.pl](mailto:info@blinkartdesign.pl)

Website: <https://www.blinkartdesign.pl>

Scan QR code to visit our website:

