

BLINK SOLAR

Is energy storage power station suitable for personal investment

Lithium Solar Generator: \$150



Overview

Is energy storage a good investment option?

Continued research in storage valuation models and their time resolution will also contribute to maximizing the benefits of energy storage investments. Overall, energy storage presents a promising alternative and a transformative factor in the investment decision processes of the power sector. 6.
Conclusions.

Why are energy storage technologies important?

Energy storage technologies have been recognized as an important component of future power systems due to their capacity for enhancing the electricity grid's flexibility, reliability, and efficiency. They are accepted as a key answer to numerous challenges facing power markets, including decarbonization, price volatility, and supply security.

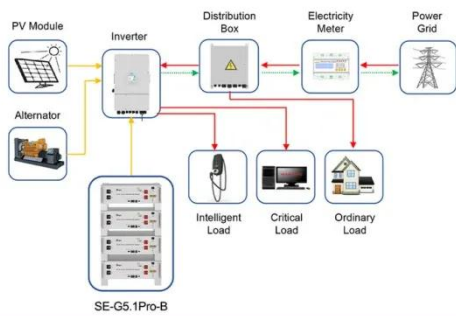
How does energy storage affect investment in power generation?

Energy storage can affect investment in power generation by reducing the need for peaker plants and transmission and distribution upgrades, thereby lowering the overall cost of electricity generation and delivery.

Is energy storage the future of power systems?

It is imperative to acknowledge the pivotal role of energy storage in shaping the future of power systems. Energy storage technologies have gained significant traction owing to their potential to enhance flexibility, reliability, and efficiency within the power sector.

Is energy storage power station suitable for personal investment



Application scenarios of energy storage battery products

A comprehensive review of the impacts of energy storage on power

Energy storage technologies have been recognized as an important component of future power systems due to their capacity for enhancing the electricity grid's flexibility, ...

How to Choose the Best Power Storage for Home: A ...

Discover key factors when selecting power storage for home, including capacity, type, safety, and cost. Make an informed decision with this expert guide.



Profit Analysis and Power Storage Investment: A 2025 Guide ...



Power Storage Investment Trends That'll Make Your Head Spin 2025's energy storage market is like a Tesla battery fire - hot, unpredictable, and full of potential. The global ...

How much profit is there in investing in energy storage power stations

This aspect becomes increasingly pertinent as global warming concerns rise. Therefore, investments in energy storage power stations empower stakeholders to partake in ...



Analysis of energy storage power station investment and ...

In order to promote the deployment of large-scale energy storage power stations in the power grid, the paper analyzes the economics of energy storage power stations from three ...

Are Home Solar Battery Storage Systems a Worthwhile Investment?

As energy prices rise and sustainability becomes a priority, many homeowners are considering the investment in home solar battery storage systems. But is it truly worth it? The ...



Power Investment Energy Storage Power Station: The Future ...

Power Investment Energy Storage Power Station: The Future of Renewable Energy

Integration Summary: Explore how power investment energy storage power stations revolutionize ...



Energy Storage Power Station Investment Insights: Breaking ...

Discover the true cost of energy storage power stations. Learn about equipment, construction, O& M, financing, and factors shaping storage system investments.



Energy Storage Investments - Publications

As investment in renewable energy generation continues to rise to match increasing demand so too does investment, and the opportunity to invest, in energy storage. Estimates ...



The Battery Storage Delusion: Utility-Scale Batteries Are No ...

Download Issue Brief The Issue Utility-scale lithium-ion battery energy storage

systems (BESS), together with wind and solar power, are increasingly promoted as the ...



Contact Us

For catalog requests, pricing, or partnerships, please contact:

BLINK SOLAR

Phone: +48-22-555-9876

Email: info@blinkartdesign.pl

Website: <https://www.blinkartdesign.pl>

Scan QR code to visit our website:

