

BLINK SOLAR

IoT Base Station Communication Protocol



Overview

Short for Advanced Message Queuing Protocol, AMQP is an open standard protocol used for more message-oriented middleware. As such, it enables messaging interoperability between systems, reg.

What communication protocols are used in IoT deployments?

Communications protocols used in IoT deployments include Lightweight M2M (Machine-to-Machine) which is a device management protocol designed for sensor networks and the device volumes associated with M2M environments.

How do IoT devices communicate with base stations?

IoT devices communicate with these base stations through binary phase shift keying (BPSK) modulation over an ultra-narrow (100 Hz) sub-GHZ ISM band carrier (UNB).

How do I choose a protocol for IoT?

The choice of protocol hinges on specific IoT application requirements, including data volume, power constraints, communication range, network topology, and data transmission reliability. Often, a combination of these protocols addresses diverse communication needs within a single IoT ecosystem.

What is IoT communication & how does it work?

Communication between the IoT device and IoT gateway and onward into the cloud makes it possible to perform data processing, analytics and storage. IoT bridges both telecoms and IT protocols and several IoT-specific protocols have emerged to help standardize and streamline IoT communication processes.

IoT Base Station Communication Protocol

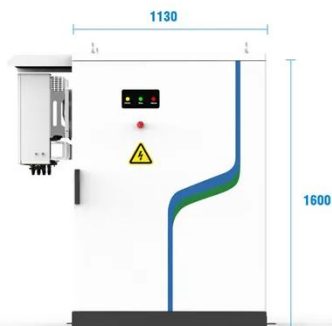


What communication protocols do LPWA IoT networks ...

Low-Power Wide-Area (LPWA) IoT networks support several communication protocols designed for long-range, low-power communication between IoT devices and ...

SCAP SigFox: A Scalable Communication ...

The slot- and channel-allocation protocol (SCAP) is intended for long-range IoT networks in which IoT devices communicate regularly ...



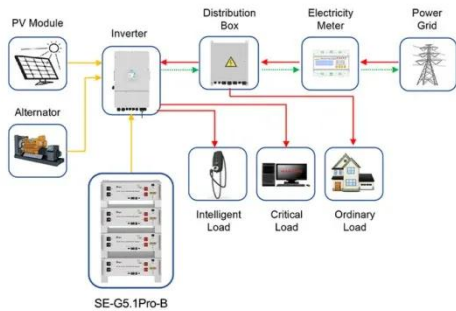
- 
PV / DG Application
- 
APP Intelligent Control
- 
Multi-Unit Parallel Expansion
- 
98.8% Max. Efficiency

Top 12 most commonly used IoT protocols and standards

Top 12 most commonly used IoT protocols and standards Not every IoT communication protocol is right for every deployment or device. Consider the power and ...

Optimizing Drone-Based IoT Base Stations in 6G Networks

The rapid evolution and integration of next-generation Internet-of-things (NG-IoT) applications present new complexities for sixth-generation (6G) mobile communication ...



Application scenarios of energy storage battery products

Implementing a Communication Network between Bases Station ...

This paper features a low energy cost long range communication system between in base stations. Using Internet of Things (IoT) concepts and the possibility of utilizing a diversity ...

IoT communication protocols and standards

The IoT connection is the enabling technology that powers IoT but it's the communication of the IoT device via the internet that really enables an IoT solution to create value. Communication ...



IOT

NB-IoT (Narrowband IoT): Characteristics: Extremely narrow bandwidth, very low data rate (tens of kbps), extremely low

power consumption, excellent indoor ...



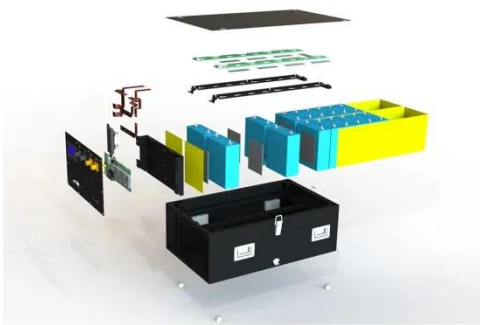
LoRaWAN Base Station: Your Ultimate Guide ...

Unlock the potential of LoRaWAN Base Stations for long-range IoT communication. Learn their benefits, applications, and more!



SCAP SigFox: A Scalable Communication Protocol for Low ...

The slot- and channel-allocation protocol (SCAP) is intended for long-range IoT networks in which IoT devices communicate regularly and where the communication is ...



LoRaWAN Base Station: Your Ultimate Guide to Long-Range IoT ...

Unlock the potential of LoRaWAN Base Stations for long-range IoT

communication. Learn their benefits, applications, and more!



Comprehensive Exploration of IoT Communication Protocol ...



The world of the Internet of Things (IoT) is offering significant business prospects and paving the way for exciting innovations. Smart devices utilize a variety of IoT application ...

A Comparative Analysis on IoT Communication Protocols ...

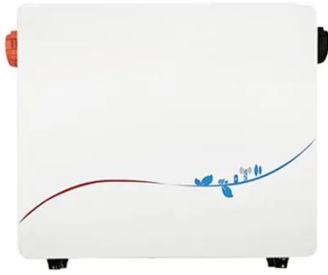
Abstract. With the emergence of 5G, the Internet of Things (IoT) will bring about the next industrial revolution in the name of Industry 4.0. The communication aspect of IoT ...



IoT communication protocols and standards

The IoT connection is the enabling technology that powers IoT but it's the

communication of the IoT device via the internet that really ...



Contact Us

For catalog requests, pricing, or partnerships, please contact:

BLINK SOLAR

Phone: +48-22-555-9876

Email: info@blinkartdesign.pl

Website: <https://www.blinkartdesign.pl>

Scan QR code to visit our website:

