

BLINK SOLAR

Independent main energy storage power station on the grid side



Overview

What are the applications of grid side energy storage power stations?

Further research directions Due to the important application value of grid side energy storage power stations in power grid frequency regulation, voltage regulation, black start, accident emergency, and other aspects, attention needs to be paid to the different characteristics of energy storage when applied to the above different situations.

What is the largest energy storage power station in China?

The 101 MW/202 MW•h grid side energy storage power station in Zhenjiang, Jiangsu Province, which was put into operation on J, is currently the largest grid side energy storage power station project in China and the world's largest electrochemical energy storage power station.

What is the largest grid-forming energy storage station in China?

This marks the completion and operation of the largest grid-forming energy storage station in China. The photo shows the energy storage station supporting the Ningdong Composite Photovoltaic Base Project. This energy storage station is one of the first batch of projects supporting the 100 GW large-scale wind and photovoltaic bases nationwide.

How can energy storage power stations be evaluated?

For each typical application scenario, evaluation indicators reflecting energy storage characteristics will be proposed to form an evaluation system that can comprehensively evaluate the operation effects of various functions of energy storage power stations in the actual operation of the power grid.

Independent main energy storage power station on the grid side

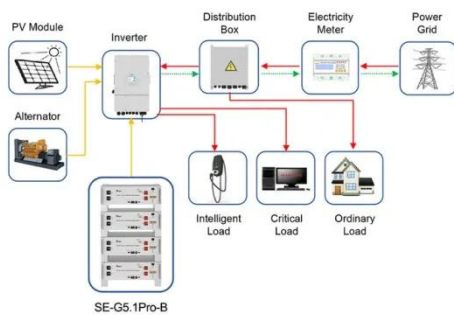


Jiangsu's first regionally decentralized grid-side energy storage

On September 30, the 49.8MW/99.6MWh grid-side energy storage power station of Suqian Zhonghe East Line New Energy in Jiangsu was officially connected to the grid.

COSMX Assisted Chinese Largest Grid-Side Energy

Baotang Energy Storage Station covers an area of 58 acres, with 88 sets of lithium-ion phosphate energy storage systems neatly arranged. A 2-story main control building ...



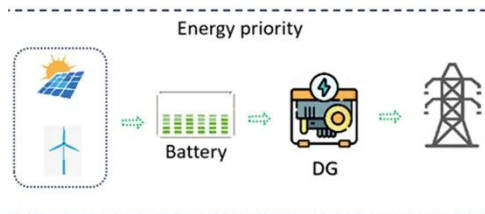
400MW/800MWh! Central China's Largest Grid-Side ...

It adopts high-safety lithium iron phosphate batteries and is equipped with the province's first integrated system of "new energy + energy storage + digital management and ...

Application scenarios of energy storage battery products

Operation effect evaluation of grid side energy storage power station

In order to scientifically and reasonably evaluate the operational effectiveness of grid side energy storage power stations, an evaluation method based on the combined weights ...



The Largest Independent Energy Storage Power Station for ...

It is the largest grid-side independent energy storage power station for frequency regulation and peak shaving in the Guangdong-Hong Kong-Macao Greater Bay Area.

Guizhou's First Large-Scale Independent Shared Energy Storage Power

The first large-scale independent shared energy storage power station in Guizhou Province - China Ziyun (a subsidiary of CNNC) 200MW/400MWh energy storage power station ...



Congratulations on Launch of Grid-Side Independent Energy Storage Power



This project marks the first 220kV voltage level new energy storage power station in Foshan Power Grid, with a construction scale of 208MW/416MWh. 9 sets of Zhiguang Electric's ...

103MW/206MWh! Anhui's largest grid-side independent shared energy

It is currently the largest grid-side large-capacity independent shared energy storage power station in Anhui Province, and is invested and constructed by Anhui Wanneng Co., Ltd. The ...



CTG's first independent energy storage project connects to grid

CTG's first independent energy storage project in Northwest China, the Phase 1 100 MW/200 MWh shared energy storage station in Jingyuan county, northwest China's ...

China's Largest Grid-Forming Energy Storage Station ...

The station was built in two phases; the first phase, a 100 MW/200 MWh energy storage station, was constructed with a grid-following design and was fully operational in June ...



Contact Us

For catalog requests, pricing, or partnerships, please contact:

BLINK SOLAR

Phone: +48-22-555-9876

Email: info@blinkartdesign.pl

Website: <https://www.blinkartdesign.pl>

Scan QR code to visit our website:

