

## BLINK SOLAR

# How to set up solar power generation at a green solar container communication station



## Overview

---

Can you put solar power in a shipping container?

There are many ways to skin a cat, and even more ways to add solar power to a shipping container. To be fair, I cheated a bit. Well, not really cheated, but I just went with a retail solar generator system instead of DIYing that part myself from à la carte components.

How much power does a solar panel use?

With 1,200W of theoretical power (and probably more like 900W of solid real-world Florida solar energy), that would be a decent flow rate. The panels I used are Pecron's folding panels, which aren't really meant for this type of long-term permanent installation.

How can I save money on solar panels?

To save a bit of money instead, you can source your own solar panels, solar charge converter, batteries, inverter, and wiring, then make it all play together. For me and my limited time, an offer from Pecron for a solution that would do all of that for me sounded perfect, so I went with Pecron's system.

Do you need a solar-powered off-grid charging shed?

Between my electric bikes, e-motorcycles, e-ATVs, electric tractors, and a few other things I'm probably forgetting, having a weather-sealed, solar-powered off-grid charging shed would be a big benefit.

## How to set up solar power generation at a green solar container com

---

### Communication container station energy storage systems



How does the HJ-SG-R01 Communication Container Station Energy Storage System support green energy integration in remote areas like Australia? The HJ-SG-R01 is designed to ...

---

### How to Set Up a Mobile Solar Container ...

Learn how to set up a mobile solar container efficiently--from site selection and panel alignment to battery checks and EMS ...



---

### Modular Solar Power Station Containers: The Future of ...

Modular solar power station containers represent a revolutionary approach to renewable energy deployment, combining photovoltaic technology with standardized shipping ...



## How to Set Up a Photovoltaic Container for Energy Needs

1. What Is a Photovoltaic Container? A photovoltaic container is a self-contained solar energy system built inside a durable shipping container. It integrates photovoltaic (PV) ...



## Installing Solar Panels on Shipping Containers: How-To & Tips

Thinking of adding solar panels to your shipping container? Learn key considerations, how many panels fit on 20ft and 40ft containers, plus tips and real-world ...

## Installing Solar Panels on Shipping ...

Thinking of adding solar panels to your shipping container? Learn key considerations, how many panels fit on 20ft and 40ft ...



## How to Set Up a Photovoltaic Container for ...

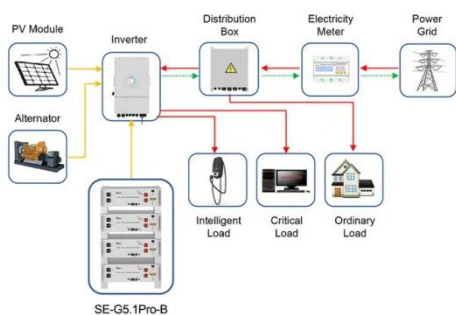
1. What Is a Photovoltaic Container? A photovoltaic container is a self-contained

solar energy system built inside a durable shipping ...



## How to Set Up a Mobile Solar Container Effectively

Learn how to set up a mobile solar container efficiently--from site selection and panel alignment to battery checks and EMS configuration. Avoid common mistakes and get ...



Application scenarios of energy storage battery products

## GREEN COMMUNICATION FOR NEXT-GENERATION

What does the battery energy storage system of the Montenegro communication base station look like The containerized energy storage system is composed of an energy storage converter, ...

## Can I run power to a shipping container? Off-Grid Solar ...

Off-Grid Solar Container Power: steps from load assessment to GFCIs, using

SolarContainer or LZY-MS1 units.

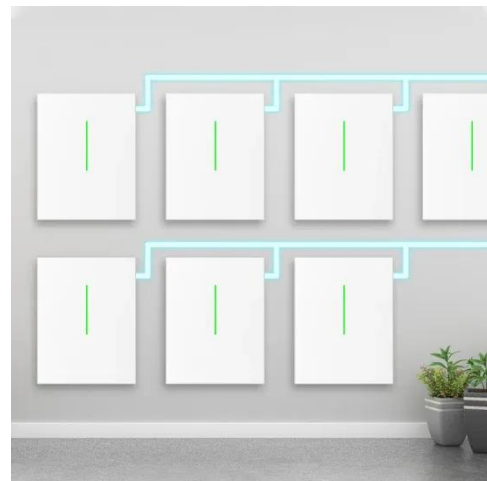


### **Can I run power to a shipping container? Off ...**

Off-Grid Solar Container Power: steps from load assessment to GFCIs, using SolarContainer or LZY-MS1 units.

### **How I turned a shipping container into a solar off-grid ...**

Solar power DIY How I turned a shipping container into a solar off-grid charging station with A/C Micah Toll , Mar 26 2024 - 7:16 am PT 17 Comments



### **Remote solar setup: 40ft solar container**

Design a 40ft solar container for remote solar setup in mining camps, ensuring

reliable off-grid power, durability, and fast deployment.



48V 100Ah

---

## Shipping Container Solar Systems in Remote Locations: An ...

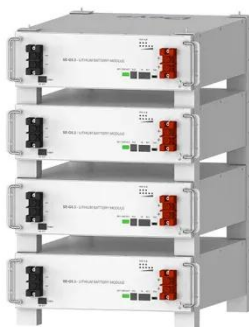
Shipping container solar systems are transforming the way remote projects are powered. These innovative setups offer a sustainable, cost-effective solution for locations ...



---

## Shipping Container Solar Systems in Remote ...

Shipping container solar systems are transforming the way remote projects are powered. These innovative setups offer a ...



Deye Official Store

10 years warranty

---

## Communication container station energy ...

How does the HJ-SG-R01 Communication Container Station Energy Storage

System support green energy integration  
in remote areas like Australia? ...



---

## Contact Us

For catalog requests, pricing, or partnerships, please contact:

### **BLINK SOLAR**

Phone: +48-22-555-9876

Email: [info@blinkartdesign.pl](mailto:info@blinkartdesign.pl)

Website: <https://www.blinkartdesign.pl>

*Scan QR code to visit our website:*

