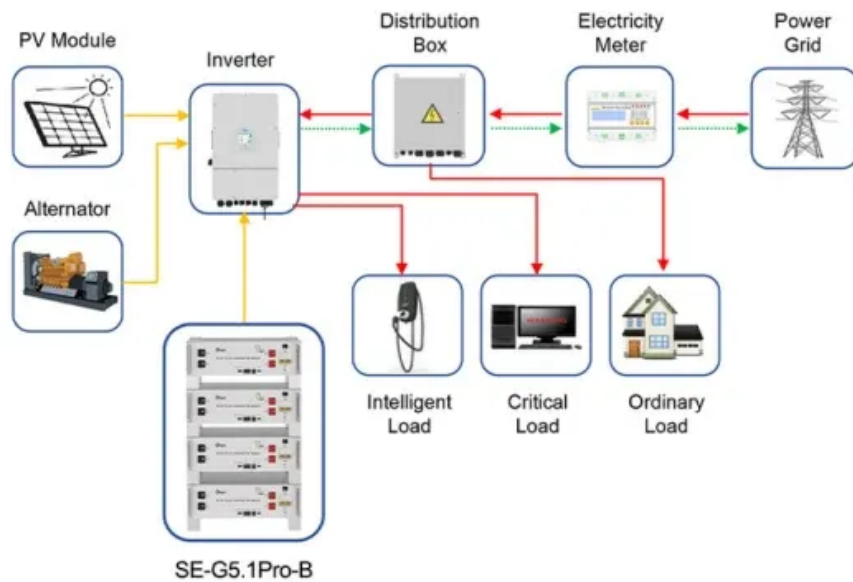


BLINK SOLAR

How much wind power does China have for 5G solar container communication stations



Application scenarios of energy storage battery products



Overview

How many solar panels will China install in 2025?

In May 2025 alone, China added 93 gigawatts of solar capacity, which translates to nearly 100 new solar panels per second, alongside 26 gigawatts of wind capacity, amounting to about 5,300 newly installed wind turbines.

How much solar power does China have?

The country had 1.5 terawatts of solar and wind power capacity up and running as of the end of March. Solar and wind accounted for 22.5 per cent of China's total electricity consumption in the first quarter of 2025, according to the government's National Energy Administration.

What is China's Wind power capacity?

1 All solar capacities are reported in MWac. China's wind capacity follows a similar rate of growth as solar, according to Global Energy Monitor's Global Wind Power Tracker, with over 590 GW in prospective phases — nearly 530 GW of onshore capacity and 63 GW of offshore capacity.

How big is China's solar power pipeline?

China is advancing a nearly 1.3 terawatt (TW) pipeline of utility-scale solar and wind capacity, leading the global effort in renewable energy buildout. This is in addition to China's already operating 1.4 TW of solar and wind capacity, nearly 26% of which (357 gigawatts (GW)) came online in 2024.

How much wind power does China have for 5G solar container comm



China's Renewable Surge: Solar and Wind Set ...

China is setting unprecedented records in solar and wind energy installations, achieving monumental growth in May 2025. During ...

China Solar and Wind Installations Break ...

China is leading the world in new solar and wind installations and doing so at a record-shattering pace. In May 2025 alone, the country ...



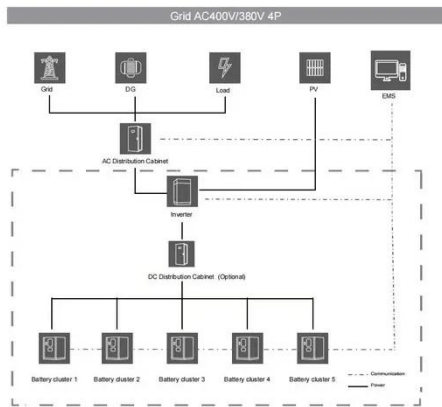
China maintains high utilization rates of wind, solar power

The utilization rates of wind and solar power remained above 95 percent this year, according to data of the National Energy Administration. By the end of 2024, the country's ...



China Solar and Wind Installations Break More World Records

China is leading the world in new solar and wind installations and doing so at a record-shattering pace. In May 2025 alone, the country added 93 gigawatts of solar capacity, ...



How much utility-scale solar and wind capacity is China ...

China is currently developing a total of 1.3 terawatts of utility-scale solar and wind capacity, according to Global Energy Monitor (GEM).

China is building 74% of all current solar and wind projects, ...

Almost three-quarters of all solar and wind power projects being built globally are in China, says a new report that highlights the country's rapid expansion of renewable energy ...



China's solar and onshore wind capacity reaches new ...

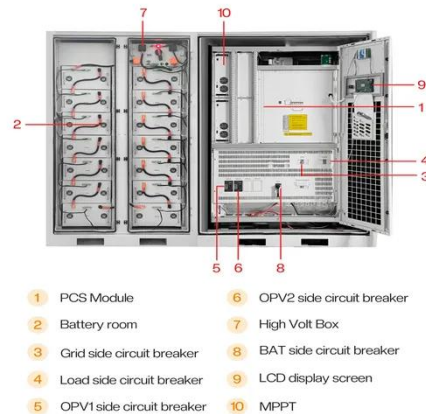
China's coastal provinces 2 are home to many of China's major megacities and



industrial hubs, and while they contribute 25% and 30% of the nation's solar and wind ...

China's Renewable Surge: Solar and Wind Set Records

China is setting unprecedented records in solar and wind energy installations, achieving monumental growth in May 2025. During this month, the country added 93 gigawatts ...



China is building 74% of all current solar and ...

Almost three-quarters of all solar and wind power projects being built globally are in China, says a new report that highlights the country's ...

China installed a record capacity of solar and wind in 2024 - ...

China saw monumental solar and wind growth in 2024, according to data

released today by its National Energy Administration (NEA).



China Wind & Solar brief July 2025

China's solar and onshore wind capacity reaches new heights, while offshore wind shows promise China is advancing a nearly 1.3 terawatt (TW) pipeline of utility-scale solar and ...

China built out record amount of wind and ...

China raced ahead building renewable energy last year, installing more wind and solar power than ever before and continuing to ...



China installed a record capacity of solar and ...

China saw monumental solar and wind growth in 2024, according to data

released today by its National Energy Administration ...



China built out record amount of wind and solar power in 2024

China raced ahead building renewable energy last year, installing more wind and solar power than ever before and continuing to leave all other countries in the dust.



MONTHLY CHINA ENERGY UPDATE , February 2025

In CY2024, China hit a new record of annual net new capacity added to the grid at 429GW, a 21% y-o-y increase. Of this, wind and solar power combined capacity accounted for ...



Contact Us

For catalog requests, pricing, or partnerships, please contact:

BLINK SOLAR

Phone: +48-22-555-9876

Email: info@blinkartdesign.pl

Website: <https://www.blinkartdesign.pl>

Scan QR code to visit our website:

