

BLINK SOLAR

How much solar energy does an 18w water pump use



Overview

To run a water pump on solar, multiply the pump's power by 1.5 to calculate the total solar panel wattage needed. For example, a 1000W pump requires at least 1500W of solar panels. How much solar power does a water fountain need?

The higher the head, the more power you need. The Vecharged Rule of Thumb: For every 100 watts of solar panel, you can typically expect to pump around 1,000 gallons of water per day to a moderate height (e.g., 20-30 feet). Example for a Small 12V Fountain: A small 12V water fountain pump might only need a 20-watt solar panel.

How do I choose a solar array for my water pump?

It should meet your water needs and work well with your solar power. How do I size the solar array for my water pump?

Figure out how much power your pump needs, then pick the right number and size of solar panels. Consider the pump's power, the total dynamic head, and your location's sunlight.

How much power does a residential water pump use?

Residential water pumps typically use 500W–1,500W while running, with a higher surge at startup—often 2–3 times the running watts. In this case, a strong solar generator paired with a high-output portable power station is capable of handling the load effectively. One excellent option to consider is the EcoFlow DELTA 3 Plus Portable Power Station.

How to choose a solar water pump?

After figuring out the solar array size, pick the right pump. Look at your water needs and the pressure. Choose a pump that can handle your daily water use and fits with the solar array. The number of solar panels needed to run a 1 hp water pump changes with the system's details. A solar pump design calculation excel tool can give you a rough idea.

How much solar energy does an 18w water pump use



Solar Pump Wattage Explained , Power Output & Fountain ...

Understand solar pump wattage and what it really means. Learn how power output impacts fountain performance and explore Poptosap eco solar pond solutions.

How much electricity does a water pump use per month?

Understanding Water Pump Electricity Consumption Determining how much electricity a water pump uses per month is crucial for budgeting and energy conservation. ...



How to Calculate the Pump Size for a Solar Pumping System?

To properly size a solar pump, you must consider various factors, including the pump's power, the depth of water, and the flow rate required. Understanding the formula for ...



How Much Electricity Does A Well Pump Use? [2025 Guide]

Well pumps use 700-800 watts on average, costing \$25-250/month. Calculate your exact costs with our guide covering all pump types and energy-saving tips.



How do I convert my electric water pump to solar?

older electric water pumps pull greater power than a newer, younger pump. Our team has to take age into consideration, potentially adding a few more solar panels onto the system to offset the ...

Solar Water Pumps: The Ultimate Guide (Sizing, Cost

The definitive guide to solar water pumps. We cover how they work, how to size the right panels and pump for your project, costs, and installation. Use our interactive calculator to ...



Solar Electric System Sizing Step 1

Solar Electric System Sizing Step 1 - Determine Your Power Consumption

LIQUID COOLING ENERGY STORAGE SYSTEM

EMS real-time monitoring
No container design
flexible site layout



Cycle Life
≥ 8000

Nominal Energy
200kwh

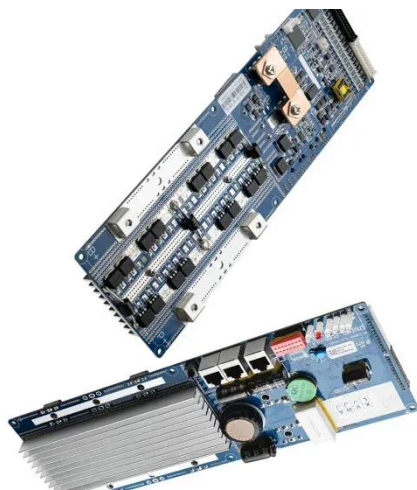
IP Grade
IP55

Demands Make a list of the appliances and/or loads you are going to run from your PV ...

Solar Water Pump Sizing Calculator - 9to5 Equipment

What Is a Solar Water Pump Sizing Calculator? A solar water pump sizing calculator is an online tool that estimates: Pump power (Watts) -> how much energy your pump needs. Solar panel ...

LPR Series 19'
Rack Mounted



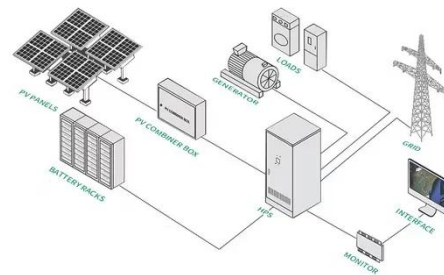
How To Calculate Solar Power Water Pump

The Solar Water Pump Sizing Calculator is a tool designed to calculate the solar panel and battery requirements for a water pump, particularly useful for individuals relying on ...

Solar Water Pump Sizing Calculator

Solar Water Pump Sizing Calculator Daily

Water Requirement (liters): Total
 Pumping Head (meters): Peak Sun Hours
 per Day: Calculate Imagine a world
 where the sun's ...

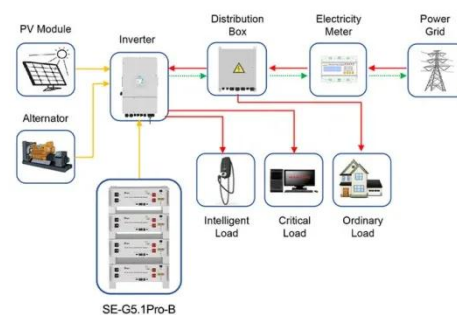


HOW MUCH ENERGY DOES A WATER PUMP USE?

How much solar energy does a 23w water pump use Enter how many hours per day you estimate you run your Water Pump. If it is less than one hour use a decimal. For example, 30 minutes ...

How Much Electricity Does a Water Pump Use: 2026 Guide

Find out how much electricity does a water pump use, including running and starting watts, energy cost calculations, and tips to cut power usage with smart solutions.



Application scenarios of energy storage battery products

Water Pump Guide: Types, Uses, Installation & Maintenance

Understand water pumps--types, uses, maintenance, and troubleshooting. Find tips to choose the best pump for residential, agricultural, or industrial needs.



How Many Solar Panels Do You Need to Run a Water Pump?

To run a water pump on solar, multiply the pump's power by 1.5 to calculate the total solar panel wattage needed. For example, a 1000W pump requires at least 1500W of ...

Modular design,
unlimited combinations in parallel
BUILT-IN DUAL FIRE PROTECTION MODULE



Contact Us

For catalog requests, pricing, or partnerships, please contact:

BLINK SOLAR

Phone: +48-22-555-9876

Email: info@blinkartdesign.pl

Website: <https://www.blinkartdesign.pl>

Scan QR code to visit our website:

