

BLINK SOLAR

How much is a single crystal 470w solar panel



Overview

What is a 470W NeoStar 2p solar panel?

The Aiko 470W Neostar 2P is a high-efficiency solar panel featuring advanced cell optimisation technology. With its N-Type ABC cells, it delivers superior performance, enhanced durability, and increased energy yield, making it an ideal choice for both residential and commercial solar installations.

How much does a 48V solar panel cost?

On our website, you will find a vast variety of 48V solar panels that are suitable for any budget. The price range for this type of solar panel is from \$175 to \$550. Of course, the price of a 48V solar panel system highly depends on the brand.

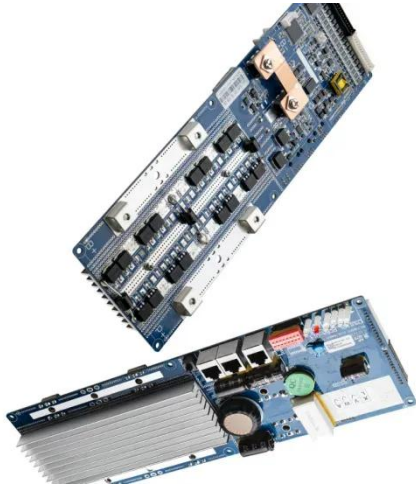
Which solar panel is best?

AIKO 470W Neostar 2P - High-efficiency solar panel featuring advanced cell optimisation technology. With its N-Type ABC cells, it delivers superior performance, enhanced durability, and increased energy yield, making it an ideal choice for both residential and commercial solar installations.

How much does a 400W Tier 1 solar panel cost?

A 400W Tier-1 panel is ¥320-¥520 (\$45-\$75) in China vs \$200-\$350 in the US. China produces 80% of global solar panels. Massive factories reduce unit costs. Local polysilicon production cuts supply chain expenses.

How much is a single crystal 470w solar panel



Aiko 470W Neostar 2P with cell optimisation

AIKO 470W Neostar 2P - High-efficiency solar panel featuring advanced cell optimisation technology. With its N-Type ABC cells, it delivers superior performance, enhanced durability, ...

Top 10 Solar panel prices china for International Buyers

Are you looking to invest in solar panels but unsure where to start? Let's dive into the top solar panel prices from China's leading suppliers, helping you make an informed decision for your ...



Display screen
Linux operation system
quad-core processors
smooth and stable system



470W Shingled PV Panel Mono-Crystalline Single Glass P-Type Solar

470W Shingled PV Panel Mono-Crystalline Single Glass P-Type Solar Module, Find Details and Price about Perc Solar PV Panel 470W 470W Shingled Solar Module from ...

470w Solar P Type Mono-crystalline Halfcut Cells Solar Panel ...

470w Solar P Type Mono-crystalline Halfcut Cells Solar Panel For Project, Find Complete Details about 470w Solar P Type Mono-crystalline Halfcut Cells Solar Panel For Project,Factory Direct ...



51.2V 150AH, 7.68KWH

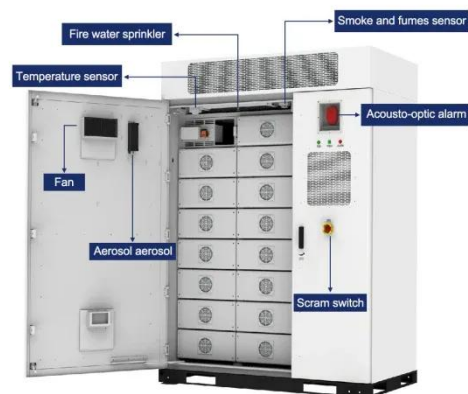


Solar System Price in China: How Much Does It Really Cost

This article will take you through solar system price in china: how much does it really cost, but the quality varies greatly by supplier and system type.

How Much Does 1 Solar Panel Cost? 2025 Individual Pricing

Learn individual solar panel costs by wattage and type. Compare 400W panel prices from \$120-\$200, understand installation costs, and find best deals.



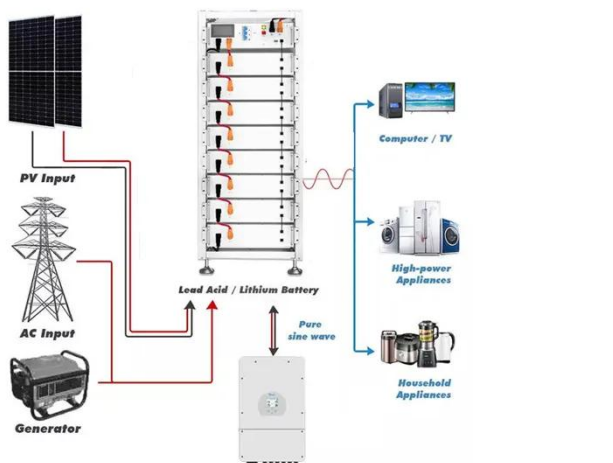
Global Free Shipping 470W Mono Crystal High Efficiency Jdsolar Solar

Global Free Shipping 470W Mono Crystal High Efficiency Jdsolar Solar Panel Made in China, Find Details and Price about Solar Panel Solar Panels from Global Free ...



Sail Solar 470W Monocrystalline Solar Electric Panels ...

Sail Solar 470W Monocrystalline Solar Electric Panels Renewable Energy Products, Find Details and Price about 144 Cells Mono PV Panels 440W PV Panel 470W ...



AIKO 470W Neostar 2P N-Type ABC Single Glass Black Frame Gen2 Solar Panel

The AIKO Neostar 470W, 23.6% Efficiency, N-Type ABC, 54 Cell, Black Frame Gen2 MC4 solar panel is a high-efficiency mono-crystalline module featuring 54 Half-Cell technology and an 11 ...

Contact Us

For catalog requests, pricing, or partnerships, please contact:

BLINK SOLAR

Phone: +48-22-555-9876

Email: info@blinkartdesign.pl

Website: <https://www.blinkartdesign.pl>

Scan QR code to visit our website:

