

## BLINK SOLAR

# How many volts can be installed on solar panels



## Overview

---

What do you need to know about voltage for solar panels?

Here's what you need to know about voltage for solar panels: Open Circuit Voltage (Voc): This is the maximum voltage your panel can produce, usually measured on a bright, cold morning. Maximum Power Voltage (Vmp): This is the voltage at which your panel operates most efficiently. If voltage is pressure, current (measured in amps) is the flow rate.

What are the different solar panel voltages?

These solar panel voltages include: Nominal Voltage. This is your typical voltage we put on solar panels; ranging from 12V, 20V, 24V, and 32V solar panels. Open Circuit Voltage (VOC). This is the maximum rated voltage under direct sunlight if the circuit is open (no current running through the wires).

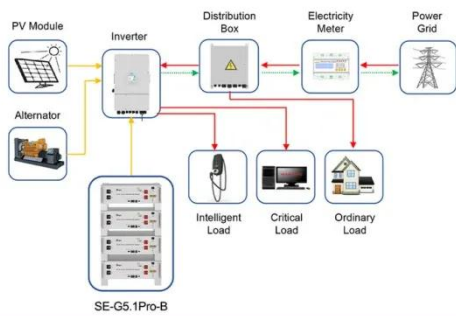
What is voltage output from a solar panel?

Voltage output directly from solar panels can be significantly higher than the voltage from the controller to the battery. Maximum Power Voltage (Vmp). This is the voltage when the solar panel produces its maximum power output; we have the maximum power voltage and current here. Here is the setup of a solar panel:.

What is the maximum voltage a solar panel can run?

Most solar panels have a maximum voltage between 30V and 60V, depending on size, design, and conditions. Solar panels usually max out between 30V-60V per panel, depending on size and design. Cold weather increases voltage, hot weather lowers it. Exceeding your inverter's voltage rating can damage your system.

## How many volts can be installed on solar panels



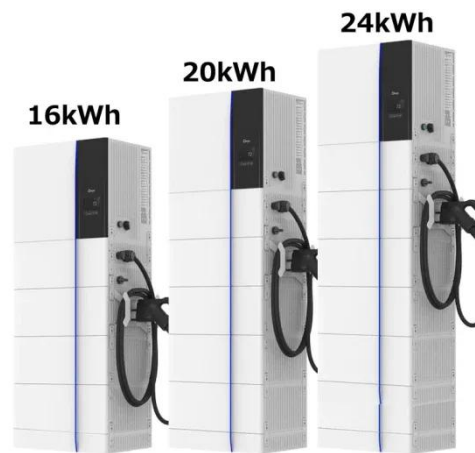
Application scenarios of energy storage battery products

### How many volts is good for solar panels?

1. Understanding Voltage in Solar Panels  
In solar energy systems, the voltage output is crucial for ensuring compatibility with ...

### What Is the Maximum Voltage of a Solar Panel? Here's Why

Solar panels can push anywhere from 30 to 60 volts, depending on type and setup. That number matters because it decides how safely and efficiently your system runs.



### What Is the Maximum Voltage of a Solar ...

Solar panels can push anywhere from 30 to 60 volts, depending on type and setup. That number matters because it decides ...

## How Many Volts Does a Solar Panel

...

However, the actual operating voltage can vary significantly based on factors like sunlight intensity and temperature. How Many Volts ...

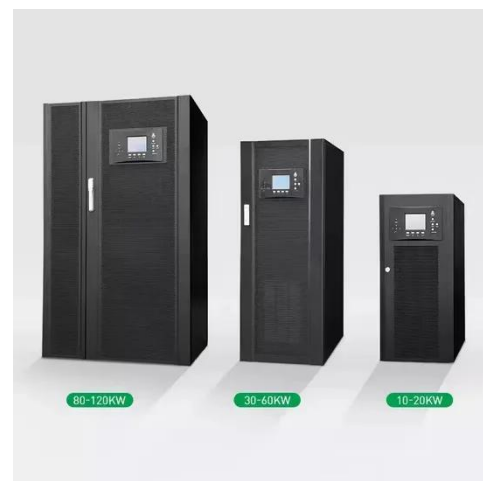


## Understanding Solar Panel Voltage and Current Output

Understanding solar panels specifications can feel like reading a foreign language. A strange assortment of numbers without definitions. It's time to decode these solar secrets so you can ...

## Understanding Solar Panel Voltage and ...

Understanding solar panels specifications can feel like reading a foreign language. A strange assortment of numbers without definitions. It's time ...



## How many volts are suitable for solar panels? , NenPower

How many volts are suitable for solar panels? \*\*1. The optimal voltage for



solar panels typically ranges between 12 volts and 48 volts, based on different applications, \*\* (1) ...

## How many volts are residential solar panels?

Conclusion Understanding residential solar panel voltage is essential for designing efficient and effective solar energy systems. With various voltage options available, homeowners can ...



## How Many Volts Can A Solar Panel Produce?

Explore how many volts a solar panel produces, factors influencing voltage output, and its significance in solar energy systems.



## Solar Panel Voltage Explained: Output & Regulation Guide

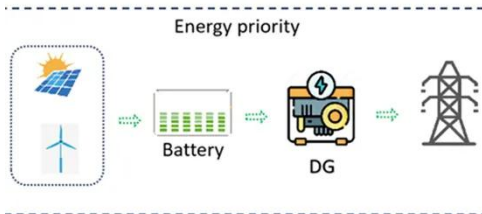
10 hours ago Solar panels convert sunlight into usable electrical energy --

but to truly understand how that energy flows, you need to grasp one fundamental concept: voltage. ...



### How Many Volts Can A Solar Panel Produce?

Explore how many volts a solar panel produces, factors influencing voltage output, and its significance in solar energy systems.



### Solar Panel Output Voltage: How Many Volts ...

For many calculations, we will need to know how many volts do solar panels produce. It's not all that easy to find the solar panel output ...



### How Many Volts Does a Solar Panel Generate? - VTOMAN

However, the actual operating voltage can vary significantly based on factors

like sunlight intensity and temperature.  
How Many Volts Does a Solar Panel  
Generate? Small, ...



---

## What is Solar Panel Voltage? A Complete Guide on Types

The actual solar panel output voltage depends on the number of cells connected in series within the panel structure. For simplicity, we've created this quick snapshot of how ...



---

## Solar Panel Output Voltage: How Many Volts Do PV Panel ...

For many calculations, we will need to know how many volts do solar panels produce. It's not all that easy to find the solar panel output voltage; there is a bit of confusion because ...



---

## What is Solar Panel Voltage? A Complete ...

The actual solar panel output voltage depends on the number of cells

connected in series within the panel structure. For simplicity, ...



## How many volts is good for solar panels? , NenPower

1. Understanding Voltage in Solar Panels  
In solar energy systems, the voltage output is crucial for ensuring compatibility with various components and achieving optimal ...

## Contact Us

For catalog requests, pricing, or partnerships, please contact:

### **BLINK SOLAR**

Phone: +48-22-555-9876

Email: [info@blinkartdesign.pl](mailto:info@blinkartdesign.pl)

Website: <https://www.blinkartdesign.pl>

*Scan QR code to visit our website:*

