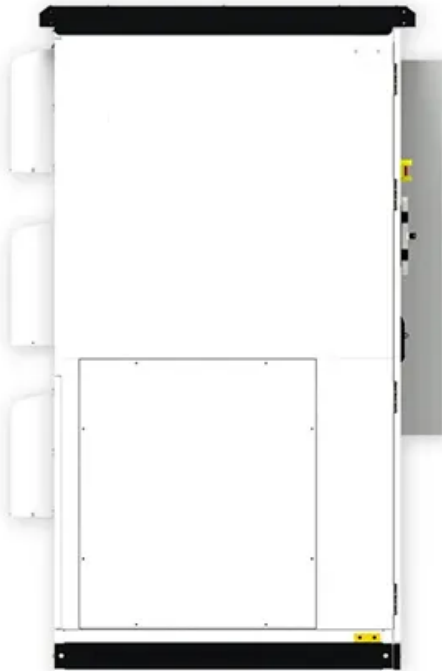


## **BLINK SOLAR**

# **How big a battery should a 3w solar panel be**



## Overview

---

What size solar battery do I Need?

The size of the solar battery you need will depend on the size of your home — specifically, how many bedrooms it has. To work out what size battery you'll need, you can start by calculating your electricity usage. Look at either your smart meter or your monthly energy bill, which will tell you how much you use on average.

How many batteries do you need for a solar energy system?

Suppose you consume 30 kWh daily. If you choose a lithium-ion battery with a usable capacity of 10 kWh and a DoD of 90%, you'll need at least three batteries to meet your daily needs. By understanding these components, you'll be equipped to choose the right size battery for your solar energy system, ensuring seamless and efficient operation.

What size battery should a 10 kW solar system have?

10 kW solar system with a battery — The ideal size solar battery for a 10 kWp solar panel system is 20–21 kWh, as it'll be able to make sure the battery is properly charged throughout the day. Which solar products are you interested in?

.

How many kilowatts is a solar battery?

If you use 8 kilowatt hours (kWh) per day, then you'll need a battery with a capacity of at least 8 kilowatts (kW) to provide all of your energy needs during the day. Keep in mind that you won't always be at home though, so you could get away with a smaller battery. What size solar battery for solar panels?

## How big a battery should a 3w solar panel be

---

### What Size Solar Battery Do You Need? A 2025 Guide



A three-bedroom home will need an 8 kilowatt storage battery The average cost of a storage battery is £4,500 Storage battery capacity ranges from 1 kWh to 13 kWh From 1 Feb ...

---

### Solar Battery Size Guide: kWh, Inverter & Runtime

Size your solar battery using load profile, critical loads, efficiency and DoD. Calculator matches kWh, inverter and runtime for code-compliant installs.



### Solar Panel And Battery Sizing Calculator

A Solar Panel and Battery Sizing Calculator is an invaluable tool designed to help you determine the optimal size of solar panels and ...

## Choosing the Right Battery Size For Your Solar System

Selecting the appropriate battery size for your solar energy system is a crucial decision that can significantly impact the performance and reliability of your renewable energy setup. Proper ...



## What Size Battery Do I Need for Solar: A ...

Discover how to choose the right battery size for your solar energy system in this comprehensive guide. Explore key factors like ...

## How To Size Battery For Solar Like a Pro

Confused about battery sizing? Learn how to size a battery for solar and avoid costly mistakes with our easy, expert-backed guide!



## Cheat Sheet for Sizing Your Solar Battery System

If you're considering a solar battery system to complement your home's

solar panels, you're making a smart move toward energy independence, security, and efficiency. ...



## What Size Solar Battery Do I Really Need? A Step-by-Step ...

Step 5 - Consult a Professional While these calculations provide a great starting point, consulting a solar energy expert ensures you choose the perfect battery size for your ...



## Sizing residential solar & battery systems: A quick guide

What size solar panel array do you need for your home? And if you're considering battery storage, what size battery bank would be most appropriate? This article includes tables ...

## Solar Panel And Battery Sizing Calculator

A Solar Panel and Battery Sizing Calculator is an invaluable tool designed

to help you determine the optimal size of solar panels and batteries required to meet your energy ...



---

### **Sizing residential solar & battery systems: A ...**

What size solar panel array do you need for your home? And if you're considering battery storage, what size battery bank would be most ...



---

### **Solar Battery Size Guide: kWh, Inverter**

Size your solar battery using load profile, critical loads, efficiency and DoD. Calculator matches kWh, inverter and runtime for ...

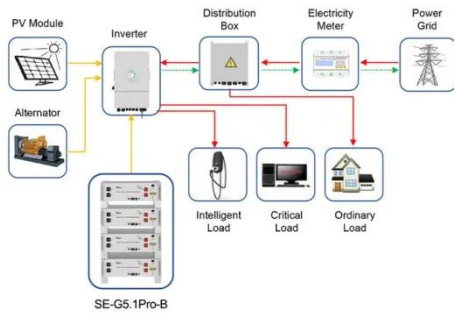


---

### **Battery Size For Solar Systems: How To Choose Right**

Learn how to calculate the right battery size for solar systems using energy

needs, DoD, and real-world examples.



Application scenarios of energy storage battery products

## What Size Solar Battery Do You Need? A 2025 Guide

How Are Solar Battery Sizes Measured? What Size Solar Battery Do I Need? Should I Buy A Large Solar Battery Or A Small Solar Battery? Can I Have Multiple Storage Batteries? Can You Use A Solar Battery to Charge An Electric Car? Things to Consider Before Buying A Solar Battery Summary Generally speaking it is better to buy an oversized solar battery, but only as long as your solar panel system is big enough. Otherwise you'll want a smaller storage battery, because there's little point paying more for a large battery you'll barely be able to charge. Smaller batteries work better for homes with lower energy needs and typically are See more on [theecoexperts .uksunhub](https://theecoexperts.uk)



## Battery Size For Solar Systems: How To Choose Right

Learn how to calculate the right battery size for solar systems using energy needs, DoD, and real-world examples.



## What Size Battery Do I Need for Solar: A Guide to Proper Battery ...

Discover how to choose the right battery size for your solar energy system in this comprehensive guide. Explore key factors like battery capacity, depth of discharge, and ...

---

## Contact Us

For catalog requests, pricing, or partnerships, please contact:

### **BLINK SOLAR**

Phone: +48-22-555-9876

Email: [info@blinkartdesign.pl](mailto:info@blinkartdesign.pl)

Website: <https://www.blinkartdesign.pl>

*Scan QR code to visit our website:*

