

**BLINK SOLAR**

# Hospital Personal Uninterruptible Power Supply



## Overview

---

Why do hospitals have uninterruptible power supplies?

Many hospitals have uninterruptible power supplies dedicated to specific testing bays to ensure a smooth and constant supply of utility power. Navigate outages safely and effectively during emergency situations.

Why do medical facilities need a power supply?

In medical facilities and hospitals, there are many devices and equipment used to treat patients and protect their lives. In order for these to operate stably, it is extremely important to secure a power supply. Stopping equipment due to unexpected power outages or other power problems puts patients at risk, so this must be avoided.

What is ups for medical centers & hospitals?

UPS for medical centers and hospitals deliver backup power in emergencies and ensure power conditioning for critical equipment. [Learn more.](#)

What is a Cyberpower medical grade UPS system?

CyberPower Medical Grade UPS systems have been designed to power and protect sensitive equipment in hospitals and healthcare facilities. Each medical UPS is UL 60601-1 tested to provide standby power in patient-care settings and comes with hospital-grade plugs and hospital-grade outlets, and a built-in isolation transformer.

## Hospital Personal Uninterruptible Power Supply

---



### Uninterruptible Power Supply for Healthcare: Reliable, Safe Power ...

Discover the importance of medical-grade uninterruptible power supply (UPS) systems in healthcare. Learn how Medical UPS solutions protect patient-critical equipment ...

### How Do Hospitals Ensure Uninterrupted Power Supply?

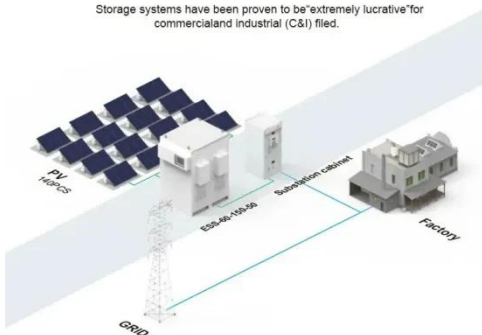
Conclusion Ensuring an uninterrupted power supply in hospitals is a multifaceted endeavor that involves a combination of technology, infrastructure, and human preparedness.

...



#### BASIC APPLICATION

Storage systems have been proven to be "extremely lucrative" for commercial and industrial (C&I) filed.



### Uninterruptible Power Supply (UPS) for Healthcare Applications

Uninterruptible Power Supply (UPS) for Healthcare Applications In the healthcare sector, reliable and continuous power is not a convenience--it's a lifeline. From intensive care ...

## Uninterruptible power supply (UPS) for medical applications ...

Ensure patient safety in the event of power loss. An Eaton uninterruptible power supply for medical equipment, can buy precious time in a hospital outage.

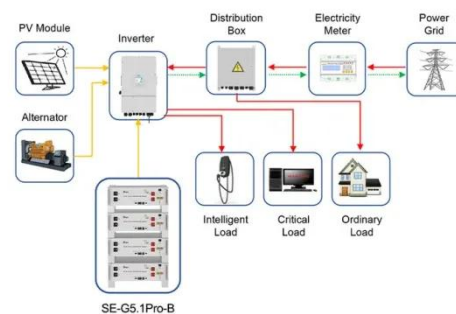


## What is the best UPS (Uninterruptible Power Supplies) for medical

In medical facilities and hospitals, there are many devices and equipment used to treat patients and protect their lives. In order for these to operate stably, it is extremely ...

## Uninterruptible Power Supply (UPS) for ...

Uninterruptible Power Supply (UPS) for Healthcare Applications In the healthcare sector, reliable and continuous power is not ...



Application scenarios of energy storage battery products

## Medical Grade UPS Systems , Medical Grade Power

CyberPower manufactures high-quality uninterruptible power supply and UPS

products for hospitals, medical clinics,  
and healthcare facilities.



---

## Hospital Uninterruptible Power Systems (UPS) Systems

Reliable power is a necessity for hospitals and other healthcare environments. These environments require a continuous power supply to keep lifesaving equipment and ...



---

## The Critical Role of Uninterruptible Power Supply Hospitals

Uninterruptible Power Supply Hospitals  
In the modern healthcare environment, the reliance on technology is undeniable. From diagnostic machines to life-support systems, every piece of ...



---

## Healthcare UPS Backup Power , Mitsubishi ...

Providing short-term hospital backup  
power with a UPS for medical equipment

keeps everything up and running  
between an outage ...



## What is the best UPS (Uninterruptible Power ...

In medical facilities and hospitals, there are many devices and equipment used to treat patients and protect their lives. In order for ...

## Design of a Medical-Grade Uninterruptible Power Supply ...

This article presents the detailed design of an Uninterruptible Power Supply (UPS) system specifically developed to ensure the continuity of the power supply to Mechanical ...



## The Critical Role of Uninterruptible Power ...

Uninterruptible Power Supply Hospitals  
In the modern healthcare environment,

#### APPLICATION SCENARIOS



the reliance on technology is undeniable.  
From diagnostic ...

---

### Healthcare UPS Backup Power , Mitsubishi Electric

Providing short-term hospital backup power with a UPS for medical equipment keeps everything up and running between an outage and the generator turning on, while also ...



---

## Contact Us

For catalog requests, pricing, or partnerships, please contact:

### **BLINK SOLAR**

Phone: +48-22-555-9876

Email: [info@blinkartdesign.pl](mailto:info@blinkartdesign.pl)

Website: <https://www.blinkartdesign.pl>

*Scan QR code to visit our website:*

