

BLINK SOLAR

Home solar container energy storage system outage



Overview

What are the solar energy storage problems?

This is one of the solar energy storage problems facing the solar energy sector and they need to be addressed. This is not just the main problem associated with solar energy storage systems but also the most vexing problem. Though the prices of solar batteries have reduced drastically, they are still outrageously high.

How much solar & battery storage do I Need?

Whole home backup is possible, but it takes a large solar system with around 30 kWh of battery storage. Let's run through an example scenario of powering essential systems during a 24-hour power outage to get an idea of how much solar and battery capacity you'll need.

Why do solar panels need battery storage?

This is especially useful during prolonged power outages because unless you have battery storage, your solar system will be turned off by the local utility to prevent the backflow of electricity from injuring workers trying to repair the grid. But if you have battery storage, your system can operate independently when the grid is down.

How long can a battery power a house during a power outage?

Capacity — the amount of energy a battery can store — is one of the main features that influence how long a battery can power a house during a power outage. Battery capacity is measured in kilowatt-hours (kWh) and can vary from as little as 1 kWh to 18 kWh.

Home solar container energy storage system outage

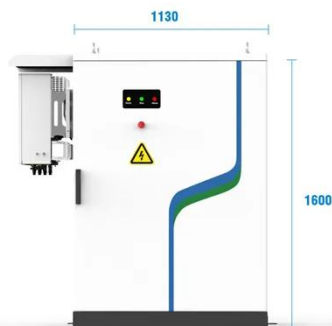


Power Outages: Is Battery Storage Key to ...

Spain and Portugal's power outages show a critical gap in Europe's clean energy plan. BESS is key to C& I and national grid stability?

Solar System During Power Outage - Add Backup Power Now , SMA Solar

Learn how your solar system works during a power outage and how SMA backup solutions keep your home powered in emergencies.



Residential Energy Storage and Emergency Preparedness: A ...

By keeping essential systems powered, supporting communication during crises, and allowing for greater independence from the grid, energy storage provides unparalleled ...

-  PV / DG Application
-  APP Intelligent Control
-  Multi-Unit Parallel Expansion
-  98.8% Max. Efficiency

How does a home solar carport system work during a power outage?

A typical home solar carport system consists of solar panels, a mounting structure, an inverter, and a battery storage system (optional but highly recommended for outage ...



How does a home solar carport system work ...

A typical home solar carport system consists of solar panels, a mounting structure, an inverter, and a battery storage system (optional ...

How Long Can Solar Battery Power a House During an ...

How Long Can A Solar Battery Power A House? Home Battery Capacity Solar System Output Your Electricity Needs During A Power Outage Getting A Solar Battery Worth It? Weather-related power outages in the US increased roughly 78% from 2011 to 2021, and are becoming a reality for more homeowners. If you like clean, quiet, and hands-free backup energy that can power your home for several days during outages, then solar and battery are totally worth it. Not only can a battery keep your home powered, it can keep your See more on solar SRNE Solar



Residential Energy Storage and Emergency Preparedness: A ...

By keeping essential systems powered, supporting communication during crises, and allowing for greater independence from the grid, energy storage provides unparalleled ...



Energy Storage FAQs , Lightsource bp

Battery energy storage systems can gather and store energy from either the grid directly or from an adjoining solar farm or other power source. The ...

How Long Can Solar Battery Power a House During an Outage?

When you install a home battery, you're gaining a backup energy reserve in the case of an outage. Whether you have a solar panel system at your home or not, a home ...



Home energy storage container

Meet LG's Commercial Energy Storage System, an energy solution scalable to meet your business's unique needs.

Home is where the 'smart' is. The all-in-one LG Home 8 Energy ...



✓ IP65/IP55 OUTDOOR CABINET

✓ WATERPROOF OUTDOOR CABINET

✓ 42U/27U

✓ OUTDOOR BATTERY CABINET

Residential PV + ESS + EV Charging Solution

Solutions that Bring Zero-Carbon Energy to Every Home Our one-stop home energy solution combines PV inverters, energy storage systems, and EV chargers--imagine a home fully ...



Home Battery Backup - Solar Storage

Unlock the power of the sun with SolarEdge's state-of-the-art home storage and backup systems - crafted specifically for American households. ...



Solar Battery Backup for Home: The Best Energy Storage ...

By combining solar power generation with energy storage batteries, choosing

a solar battery backup for your home is the solution. Power Outage Protection: During severe ...



Solar Battery Backup for Home: The Best ...

By combining solar power generation with energy storage batteries, choosing a solar battery backup for your home is the solution. ...

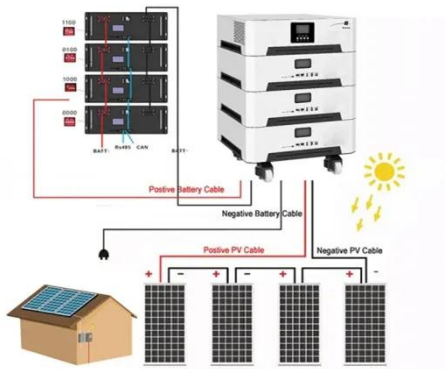
How Long Can a Residential Solar + Energy ...

According to research by the Lawrence Berkeley National Laboratory (LBNL), a single-family home equipped with a solar power ...



Do residential storage batteries work during a power outage?

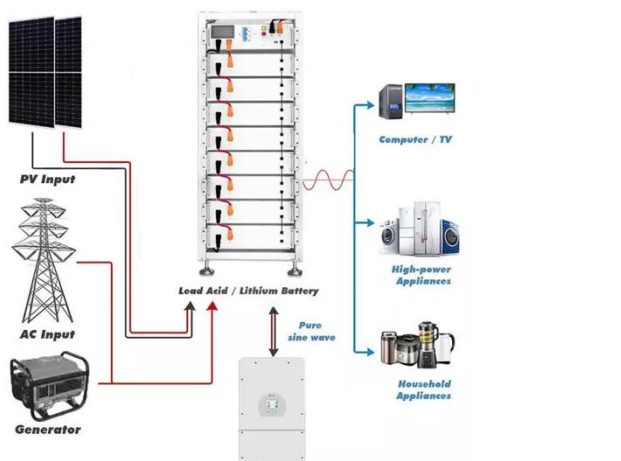
Conclusion Residential storage batteries can provide a reliable and cost-effective



solution for homeowners who want to ensure an uninterrupted power supply during a power ...

Can a Solar Storage System Power Your Home During an Outage ...

In conclusion, a solar storage system can indeed power your home during an outage, but the extent to which it can do so depends on the system's capacity and your energy ...



What is an Energy Storage Container?

The energy storage container is a module that hosts the entire battery energy storage system within a shell of container size. It's a turnkey energy storage power supply that ...

Your guide to home batteries in 2025

Are you considering a home battery?
Learn about investing in battery storage

for your energy needs.



How Long Can a Residential Solar + Energy Storage System ...

According to research by the Lawrence Berkeley National Laboratory (LBNL), a single-family home equipped with a solar power system and energy storage can maintain ...

How Does Residential Energy Storage Work? - Hinen

How does home energy storage system work? Discover Hinen's A Series all-in-one energy storage with three operating modes: House loads & Charger, Power Outage and ...



How to prepare for long-term power outage with solar storage system?

Preparing for long-term power outages with a solar energy storage system is an

effective strategy that enhances energy resilience and ensures continuous power supply even during extended ...



solar.cgprotection

Meet LG's Commercial Energy Storage System, an energy solution scalable to meet your business's unique needs. Home is where the 'smart' is. The all-in-one LG Home 8 Energy ...



Residential Energy Storage System , Home ...

Residential energy storage solutions encompass a range of off-grid and hybrid systems designed to meet the electricity needs of homes.

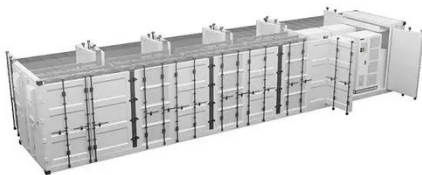
BESS Container 500KW 2MWH 40FT Energy ...

The Bluesun 40-foot BESS Container is a powerful energy storage solution

featuring battery status monitoring,
event logging, ...



How Off-Grid Solar Power Performs in Winter: A Practical ...



LiFePO4 energy storage battery
Intelligent inverter and EMS control
Modular home energy storage system
With the popularization, modern off-grid
solar energy is no longer ...

Contact Us

For catalog requests, pricing, or partnerships, please contact:

BLINK SOLAR

Phone: +48-22-555-9876

Email: info@blinkartdesign.pl

Website: <https://www.blinkartdesign.pl>

Scan QR code to visit our website:

