

BLINK SOLAR

High-efficiency solar-powered container for emergency rescue



Overview

What is a solar-powered emergency shelter?

The prototype is the first solar-powered, reusable, versatile, safe, affordable, and energy-efficient emergency shelter integrating passive design, energy storage, and combined DC/AC power system.

What is a mobile solar PV container?

High-efficiency Mobile Solar PV Container with foldable solar panels, advanced lithium battery storage (100-500kWh) and smart energy management. Ideal for remote areas, emergency rescue and commercial applications. Fast deployment in all climates.

Can solar power improve energy resilience in emergency buildings?

In recent years, more work has been done that utilises solar power in achieving energy resilience in emergency buildings. Liu Chang combined solar cells with the envelope structure, while Kalpana et al. designed and utilised solar power generation systems to build small shelters with a resilient energy supply.

How can solar power be used in disaster-affected communities?

Liu Chang combined solar cells with the envelope structure, while Kalpana et al. designed and utilised solar power generation systems to build small shelters with a resilient energy supply. Disaster-affected communities often live in temporary and/or transitional shelters with suboptimal living environments after displacement.

High-efficiency solar-powered container for emergency rescue



Design of a Solar Energy Storage Emergency Rescue ...

To enhance emergency rescue capabilities for mountaineers, we have integrated various crisis response strategies and developed a solar energy storage emergency rescue ...

How Do Solar Containers Enable Disaster ...

How do solar containers support disaster relief efforts? Discover how mobile solar units provide fast, fuel-free power during ...

1mwh (500kw/1mw)
AIR COOLING
ENERGY STORAGE CONTAINER

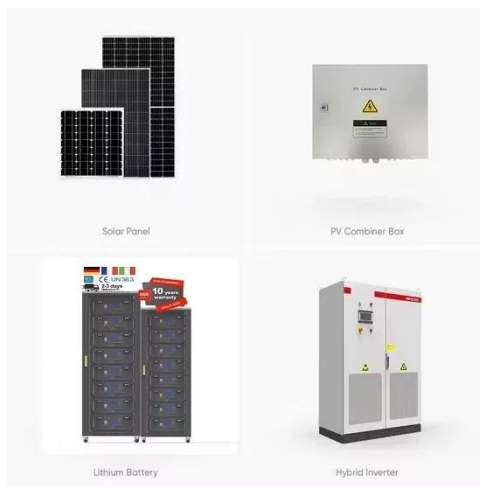


How Disaster Solar Containers Revolutionize Emergency Power

Disaster solar containers deliver clean, reliable emergency power in under 2 hours, offering rapid, fuel-free deployment for disaster relief.

Solar Energy in Disaster Relief, Portable Power and Crisis ...

Learn how solar energy supports disaster relief, providing resilient, off-grid power solutions for emergency response and recovery.



Solar-Powered Emergency Shelters: Life-Saving Power When ...

California's Office of Emergency Services, for example, offers the Emergency Management Performance Grant, which can be applied toward solar-powered emergency ...

Emergency Power Container for Disaster Relief and Off-Grid ...

An Emergency Power Container--a synonym for a containerized energy storage system (CESS) or solar-powered mobile unit--is a packaged modular power system contained ...



Integrating sustainable and energy-resilient strategies into emergency

The prototype is the first solar-powered, reusable, versatile, safe, affordable, and



energy-efficient emergency shelter integrating passive design, energy storage, and combined ...

Mobile Solar PV Container , Portable Solar Power Solutions

High-efficiency Mobile Solar PV Container with foldable solar panels, advanced lithium battery storage (100-500kWh) and smart energy management. Ideal for remote areas, emergency ...



Solar-Powered Emergency Shelters: Life ...

California's Office of Emergency Services, for example, offers the Emergency Management Performance Grant, which can be applied ...

How Do Solar Containers Enable Disaster Relief? With an Eye ...

How do solar containers support disaster relief efforts? Discover how mobile solar

units provide fast, fuel-free power during earthquakes--powering hospitals, shelters, and ...



Solar Energy in Disaster Relief, Portable ...

Learn how solar energy supports disaster relief, providing resilient, off-grid power solutions for emergency response and recovery.

How Solar Power Containers Support Emergency and ...

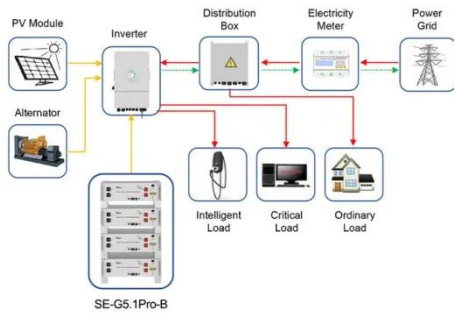
Summary Solar power containers play a vital role in emergency and humanitarian operations by delivering fast, reliable, and renewable electricity anywhere it is needed. Their ...



BESS Container for Emergency: How It's Saving EU Disaster ...

Need a power hero for EU disaster shelters? BESS Container for Emergency

delivers--1-hour setup, 72+ hrs of solar-backed power, IP67 waterproofing, and EU CPM compliance. Plus, ...



Application scenarios of energy storage battery products

Contact Us

For catalog requests, pricing, or partnerships, please contact:

BLINK SOLAR

Phone: +48-22-555-9876

Email: info@blinkartdesign.pl

Website: <https://www.blinkartdesign.pl>

Scan QR code to visit our website:

