

BLINK SOLAR

Helsinki pack solar container lithium battery manufacturer



Overview

SunContainer Innovations specializes in Nordic-focused battery production systems, having delivered 37 customized lines across Scandinavia since 2018. What is a containerized energy storage system?

The Containerized energy storage system refers to large lithium energy storage systems installed in sturdy, portable shipping containers, which usually range from 5ft, 10ft, 20ft, and 40ft, and mainly focus on 50Kwh to 10Mwh.

What energy storage container solutions does SCU offer?

SCU provides 500kwh to 2mwh energy storage container solutions. Power up your business with reliable energy solutions. Say goodbye to high energy costs and hello to smarter solutions with us.

What is a plug & play lithium-ion battery storage container?

Plug&Play lithium-ion battery storage container; Various usage scenarios of on-grid, off-grid, and micro-grid. All-in-one containerized design complete with LFP battery, bi-directional PCS, isolation transformer, fire suppression, air conditioner and BMS; Modular designs can be stacked and combined.

Why should you invest in the battery industry in northern Europe?

Northern Europe is an excellent location for the battery industry, as the availability of raw materials and clean energy is good, production chains are transparent, and sources of battery materials can be traced. Sweco's international team is dedicated to support investors in a developing of a sustainable battery industry across Europe.

Helsinki pack solar container lithium battery manufacturer

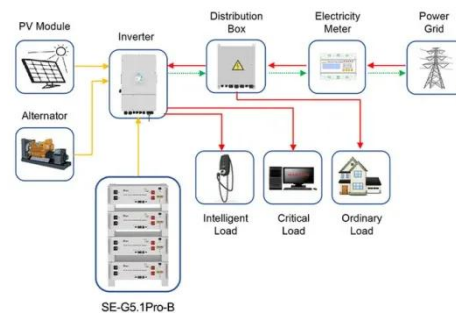


Top 10 Global EV/REEV Battery Pack Suppliers

Explore the top 10 global battery pack suppliers-industry leaders who are shaping the future of mobility and energy.

Top 15 Lithium Ion Battery Manufacturers In ...

15 Best Lithium Ion Battery Manufacturers In China The following part will introduce the best 15 lithium battery makers in China from many aspects, ...



Application scenarios of energy storage battery products



Custom Battery Pack Manufacturing & Energy ...

Custom Lithium Ion Battery Manufacturer Since 2007 High-Density Energy Solutions up to 450Wh/kg. Get Your Prototype in Weeks, Not Months. ...

Custom Batteries Packs Manufacturer - NPP ...

Custom Lithium Battery Solutions for Solar Energy Storage With over 20 years of experience, NPP Power specializes in custom lithium battery ...



Nordic Lithium Battery Pack Production Line Customization ...

Nordic lithium battery production demands go beyond standard solutions. From frost-resistant components to circular production flows, customization isn't optional - it's the key to ...

HOME

We, at Energenic batteries, manufacture high-performance Lithium-ion Batteries. We provide the most intelligent, affordable, ...



Top 10 Global EV/REEV Battery Pack Suppliers ...

Explore the top 10 global battery pack suppliers-industry leaders who are

shaping the future of mobility and energy.



Energy storage container, BESS container

Energy Storage Container Adding Containerized Battery Energy Storage System (BESS) to solar, wind, EV charger, and other renewable energy applications can reduce ...



Sanvaru

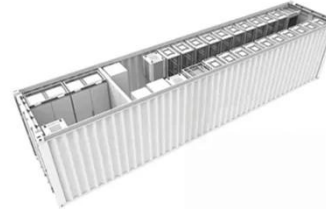
Sanvaru Technology Limited is a leading manufacturer and specializes in providing innovative and customized Lithium-Ion Battery Storage ...



Battery industry

Sweco acts as a partner to a responsible European battery industry throughout the entire value chain: from the battery

material production to the manufacturing, usage, and recycling of ...



1MW Battery Energy Storage System

MEGATRONS 1MW Battery Energy Storage System is the ideal fit for AC coupled grid and commercial applications. Utilizing Tier 1 280Ah LFP battery cells, each BESS is ...

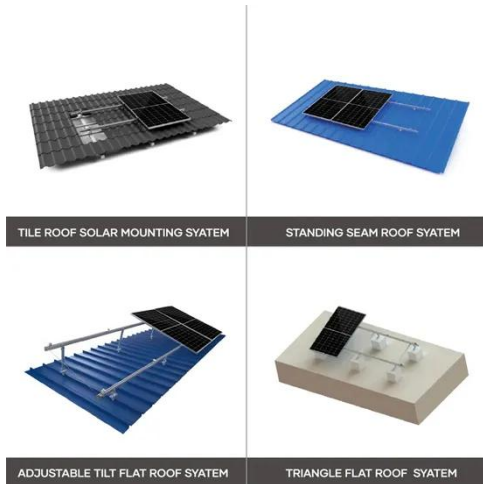
Custom Battery Pack Manufacturing & Energy Storage ...

Custom Lithium Ion Battery Manufacturer Since 2007 High-Density Energy Solutions up to 450Wh/kg. Get Your Prototype in Weeks, Not Months. Grade A cells with long cycle life Free ...



Energy storage container, BESS container

Energy Storage Container Adding Containerized Battery Energy Storage



System (BESS) to solar, wind, EV charger, and other renewable ...

Battery industry

Sweco acts as a partner to a responsible European battery industry throughout the entire value chain: from the battery material production to ...



CATL EnerC+ 306 4MWH Battery Energy ...

The EnerC+ container is a modular integrated product with rechargeable lithium-ion batteries. It offers high energy density, long ...

Battery Energy Storage System Container , BESS

A containerized energy storage system (often referred to as BESS container or

battery storage container) is a modular unit that houses lithium-ion batteries and related ...



Lithium Ion Solar Energy Storage Battery ...

1. High-efficiency energy storage: Container energy storage systems use advanced battery storage technologies, such as lithium-ion ...

HELSINKI ENERGY STORAGE CONTAINER EQUIPMENT ...

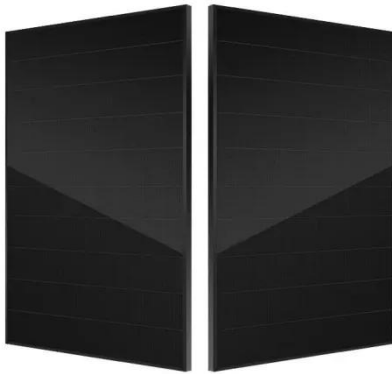
Finland solar energy storage container equipment price Costs range from EUR450-EUR650 per kWh for lithium-ion systems. Higher costs of EUR500-EUR750 per kWh are driven by higher installation and ...



Battery storage container Finland

The EnerC+ container is a battery energy storage system (BESS) that has four main components: batteries, battery

management systems (BMS), fire suppression systems (FSS), and thermal ...



Top Lithium-Ion Battery Suppliers in Finland

Wholesale Lithium-Ion Battery for PV Systems? Simply put, a lithium-ion battery (commonly referred to as a Li-ion battery or LIB) is a type of rechargeable battery that is ...



NPP POWER - Clean Energy Safe Power

NPP New Energy Co., Ltd - the World's Leading Manufacturer of battery energy storage system was established in 2002, with 4 factories in China ...

Batteriespeicher Container kaufen , Braun ...

Energiespeichercontainer für Lithium-Ionen-Batterien ? Optimale

Raumnutzung mit einer hohen
Energiedichte pro Container ? ...



Lithium battery, Battery Pack, ESS- Extrasolar ...

Extrasolar New Energy is a Lithium battery, LiFePO4 battery, NCM battery, battery pack, and energy storage system manufacturer in China.

Leading Energy Storage System Integrator

Shanghai Gogreen Energy Co., Ltd. specializes in lithium-ion energy storage integration and offers comprehensive one-stop integrated services, including product sourcing, ...



Contact Us

For catalog requests, pricing, or partnerships, please contact:

BLINK SOLAR

Phone: +48-22-555-9876

Email: info@blinkartdesign.pl

Website: <https://www.blinkartdesign.pl>

Scan QR code to visit our website:

