

BLINK SOLAR

Energy storage project cost in Argentina



- | | | | |
|---|---------------------------|----|---------------------------|
| 1 | PCS Module | 6 | OPV2 side circuit breaker |
| 2 | Battery room | 7 | High Volt Box |
| 3 | Grid side circuit breaker | 8 | BAT side circuit breaker |
| 4 | Load side circuit breaker | 9 | LCD display screen |
| 5 | OPV1 side circuit breaker | 10 | MPPT |



Overview

How many MW of battery energy storage in Argentina?

Argentina's government said on Monday it has awarded contracts for 667 MW of capacity in its first tender dedicated to battery energy storage systems (BESS), exceeding its original 500-MW target by about 30%. Energy storage battery. Photo by Anna Vasileva.

Can battery energy storage modernize the grid in Argentina?

The. Argentina's ambitious push toward grid modernization through battery energy storage has received an enthusiastic response, with CAMMESA (Compañía Administradora del Mercado Mayorista Eléctrico) confirming the submission of 27 project proposals from 15 companies under its AlmaGBA program.

How much does almagba storage cost in Buenos Aires?

The AlmaGBA Storage tender, for the metropolitan area of Buenos Aires (AMBA), will pay a fixed \$10/MW of electricity supplied and energy storage capacity bids must have a maximum cost of \$15,000/MW/month.

Why is Argentina a good stance on energy storage?

In Argentina, the stance provides a good lesson to the European stakeholders, especially in the commercial and industrial segments of energy storage. Emerging markets can present both local and foreign players by developing tenders that are investment appropriate and clear technically and financially secured.

Energy storage project cost in Argentina



How Argentina Cut Battery Costs Through Transparency

How Argentina delivered record-low battery prices in 2025 Argentina's Energy Secretariat and CAMMESA (Compañía Administradora del Mercado Mayorista Eléctrico, the ...

Argentina Receives 1.3GW of BESS Proposals for First-Ever 500MW Energy

Argentina's ambitious push toward grid modernization through battery energy storage has received an enthusiastic response, with CAMMESA (Compañía Administradora ...



Argentina awards 667MW in first energy storage tender

Argentina has awarded 667MW of battery energy storage system (BESS) in its first tender under the AlmaGBA scheme.



Argentina's Oversubscribed Energy Storage Tender Signals

Argentina's 1.3 GW battery storage tender marks a transformative leap toward grid resilience and clean energy leadership in Latin America.

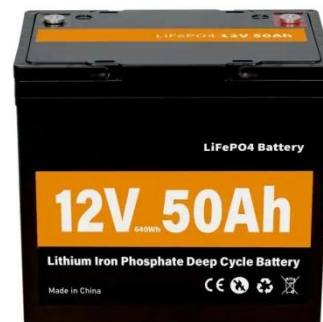


Argentina publishes details of 500 MW battery tender

The AlmaGBA Storage tender, for the metropolitan area of Buenos Aires (AMBA), will pay a fixed \$10/MW of electricity supplied and energy storage capacity bids must have a ...

Argentina publishes details of 500 MW ...

The AlmaGBA Storage tender, for the metropolitan area of Buenos Aires (AMBA), will pay a fixed \$10/MW of electricity supplied and ...



Argentina's 1st BESS tender awards 667 MW ...

Argentina's government said on Monday it has awarded contracts for 667 MW of



capacity in its first tender dedicated to battery ...

Argentina energy storage bidding

As the cost of battery energy storage continues to decline, we are likely to see the emergence of merchant energy storage operators. These entities will seek to maximize their operating profits

...



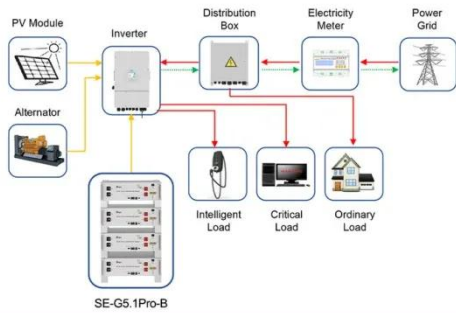
Argentina's First Energy Storage Tender Secures 1.35 GW of ...

The project, involving distributors Edenor and Edesur, requires a \$10,000 per MW bank guarantee and aims to strengthen AMBA's grid. The robust bidding response ...

Argentina awards 667MW in first energy ...

Argentina has awarded 667MW of battery energy storage system (BESS) in

its first tender under the AlmaGBA scheme.



Application scenarios of energy storage battery products

Argentina's Oversubscribed Energy Storage ...

Argentina's 1.3 GW battery storage tender marks a transformative leap toward grid resilience and clean energy leadership in ...

Argentina's 1st BESS tender awards 667 MW of projects

Argentina's government said on Monday it has awarded contracts for 667 MW of capacity in its first tender dedicated to battery energy storage systems (BESS), exceeding its ...



Argentina's first energy storage tender receives 1,347 MW of ...

The government's estimated investment for the projects is around \$500 million

USD, with a required completion timeline of 12 to 18 months. The tender will pay a fixed ...



Argentina Awards 667 MW in First Battery Energy Storage ...

Argentina's first battery energy storage tender awards 667 MW to enhance grid reliability and attract investment in next-generation storage projects.



Contact Us

For catalog requests, pricing, or partnerships, please contact:

BLINK SOLAR

Phone: +48-22-555-9876

Email: info@blinkartdesign.pl

Website: <https://www.blinkartdesign.pl>

Scan QR code to visit our website:

